

Double Wing T 60 (EI₂ 60-SaC5) High Fire Retardant Steel Door

Plane Optic

Fire Protection

T60 (EI₂ 60-SaC5) in accordance with DIN EN 1634-1

* Smoke Control	RS (S ₂₀₀)	in accordance with DIN EN 1634-3
* Noise Control	up to R _w 54dB	in accordance with DIN EN ISO 10140-2
* Burglar Proof	RC2/RC3/RC4/RC5	in accordance with DIN V ENV 1627
* Shot Proof	FB4	in accordance with DIN EN 1522
* Air Tight	up to classification 4	in accordance with DIN EN 12207
* Rain and Fire Water Tight	Classification 6A	in accordance with DIN EN 1027
* Wind Tight	Classification C5	in accordance with DIN EN 12211
* Pressure Resistant	up to 5 kPa	
* Explosion Protection	up to zone 1/21	in acc. with DIN EN 1127-1 or ATEX 94/9/EG
* Stainless Steel		

Range of Dimensions Door: Width from 1375 mm to 3000 mm
Height from 1750 mm to 3000 mm

Range of Dimensions Gate: Width from 3000 mm to 5000 mm
Height from 3000 mm to 5000 mm

Range of Dimensions Hatch: Width from 1250 mm to 1375 mm
Height from 500 mm to 1750 mm

* (special options see back of this page)

Technical specification and text for invitation to tender

Product: T60-2 (EI₂ 60-SaC5) double wing high fire retardant steel door brand Buchele in accordance with DIN EN 1634-1

Door Type: PLANE Line PL 602 BASIC

Dimensions: x mm

Door Leaf: Double walled, level 70 mm thick steel door leaf without hinge embossing, three sides folded with thick rebate without bottom stop.
Special insulating inserts completely laid in and glued.
Inactive door leaf with high-quality multi-chamber sealing profile adjustable fixed in the middle groove.
Safety bolt screwed in door leaf fold.

Sill: Floor bracket as separation bar. Surface galvanized and welded to the frame.

Frame: 3-sided circumferential folded corner frame with visible black coated intumescent material in fold.
High-quality multi-chamber sealing profile adjustable fixed in the three sided groove.

Hinges: Threepart height-adjustable construction hinges with hinge pin retention and ball-bearing spacer ring for smooth door movement.

Door Closer: 2 pieces Standard arm door closer according to DIN EN 1154 silver colored mounted on hinge side.
1 piece door coordinator device

Fitting: **Active door leaf** with mortice lock with latch lever function in accordance with DIN EN 12209 (prepared for installation of a profile cylinder lock provided by customer).
Door handle set in accordance with DIN EN 1906 firmly installed turnable synthetic material black in U-shape with rounded short-plate.
Inactive door leaf with espagnolette bolt lock in the central rebate profile.

Type PLANE Line PL 602 PREMIUM

Frame: Three sided circumferential folded PLANE Line special corner frame for flush mounted optics on hinge side. With visible black coated intumescent material in fold. High-quality multi-chamber sealing profile adjustable fixed in the three sided groove.

Hinges: Object hinges type VB-3D 160 adjustable in three dimensions. Reception element with internal positioned slide bearings for smooth door movement.

Door Closer: Slide channel door closer system in accordance with DIN EN 1154 silver colored mounted on hinge side.

Type PLANE Line PL 602 SUPERIOR

Frame: Three sided circumferential folded PLANE Line special corner frame for flush mounted optics on hinge side. With visible black coated intumescent material in fold. High-quality multi-chamber sealing profile adjustable fixed in the three sided groove.

Hinges: Concealed hinge system adjustable in three dimensions.

Door Closer: Concealed slide channel door closer system in accordance with DIN EN 1154 integrated in frame and door leaf.

Surface: Door leaf and frame galvanized and primed with one component primer similar RAL 7001.

Mounting: Delivery and professional assembly including filling of the cavities in the frame with mortar of group III.

Installation:

Masonry	≥ 115 mm
Concrete	≥ 100 mm
Aerated concrete	≥ 200 mm
Mounting wall F60	≥ 125 mm

Special Models

Flush Glazing: **PLANE Line F60** special glazing flush with outer edge of door leaf on hinge side and opposite of hinge side.
Edge enameling and permanent elastic glazing joint in color black RAL 9004.
Minimum frieze width 125 mm side and top, base 300 mm.

Standard Glazing: F60 fireproof glazing held by profiled and visibly screwed steel glazing bars.
Minimum frieze width 125 mm side and top, base 300 mm.

Smoke Protection: Drop seal or stop sill.

Sound Insulation: Drop seal, hump sill or stop sill.

Burglary Protection:

RC 2,RC 3,RC 4 or RC 5 safety package with safety fitting.

Bullet Proof:

FB 4-NS special inlay in door leaf and frame.

Airtight:

High-quality multi-chamber sealing profile adjustable fixed in the three sided groove of the frame in connection with a drop seal or a stop seal.

Driving Rain Water tight:

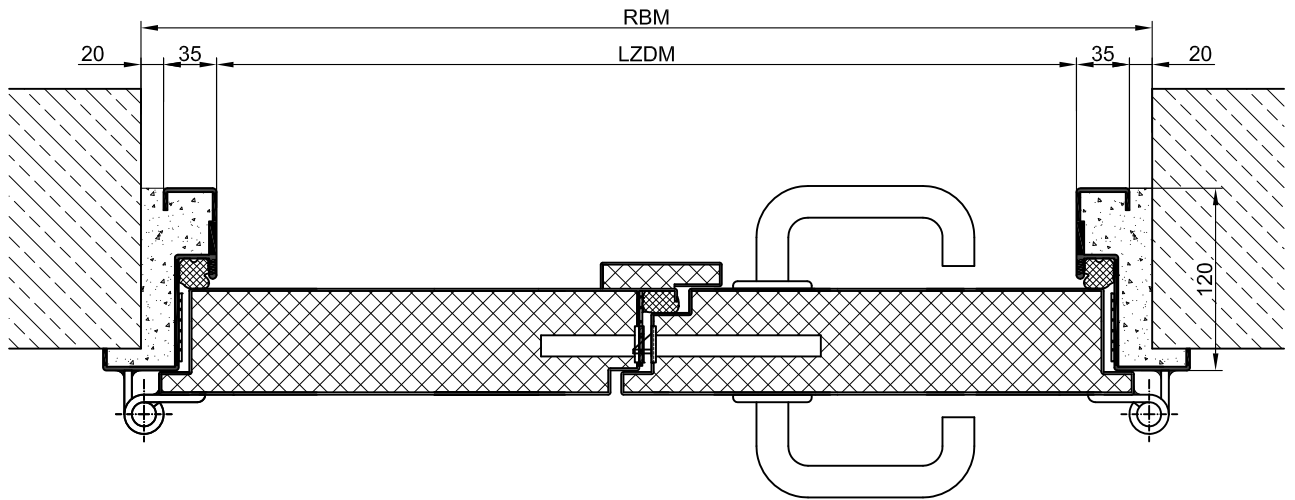
High-quality multi-chamber sealing profile adjustable fixed in the three sided groove of the frame in connection with a drop seal or a stop seal.

Windproof

High-quality multi-chamber sealing profile adjustable fixed in the three sided groove of the frame in connection with a drop seal or a stop seal

Stainless Steel:

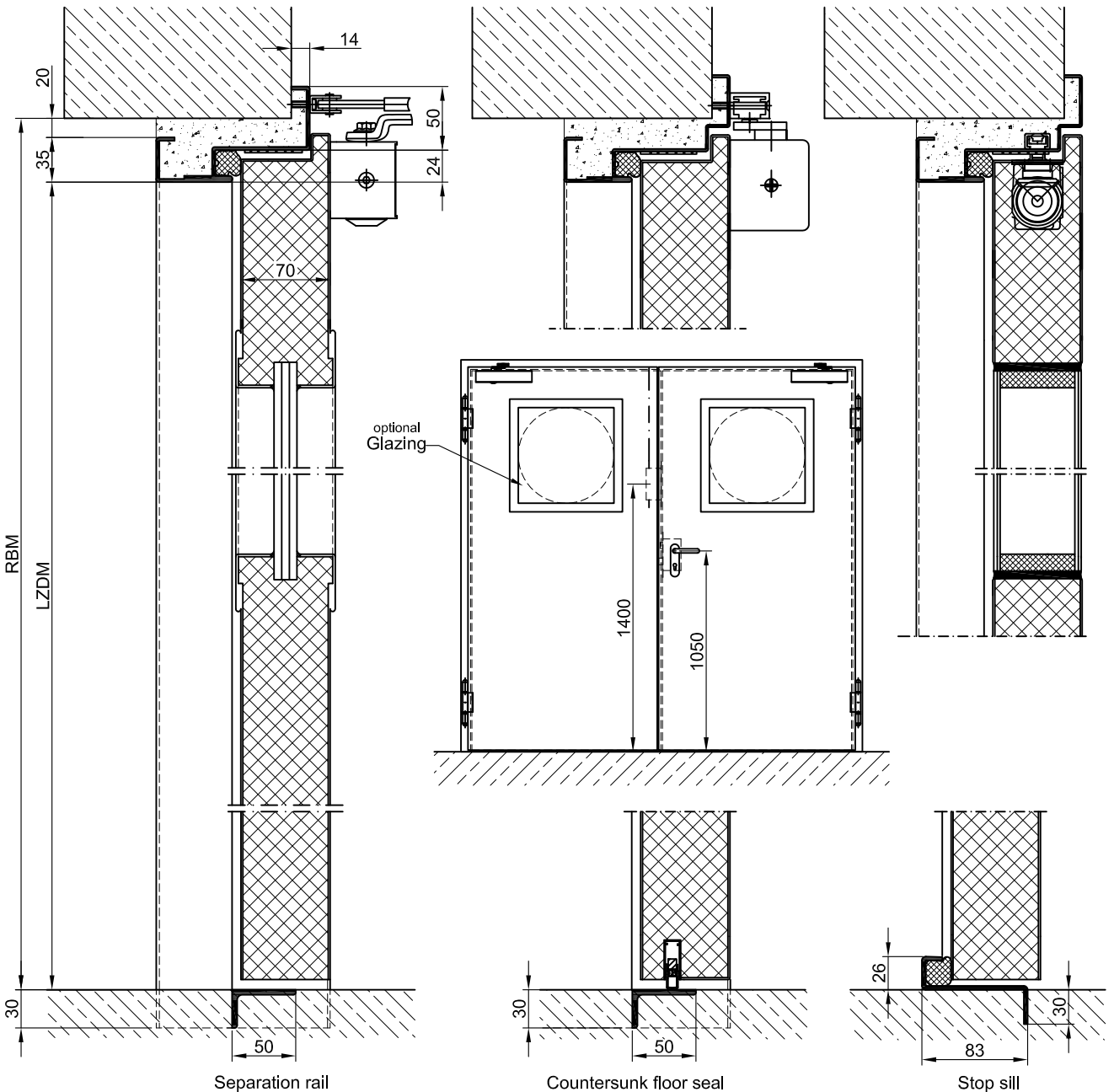
Material 1.4301 (V2A) or. 1.4571 (V4A),
Surface bright mill, brushed or mattet



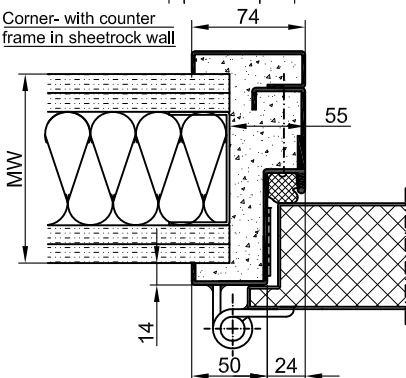
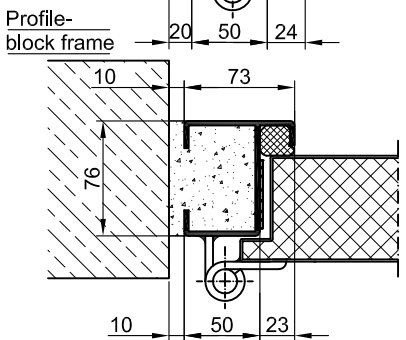
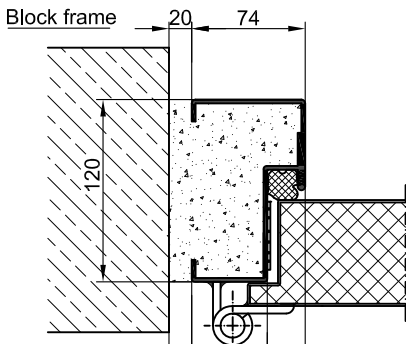
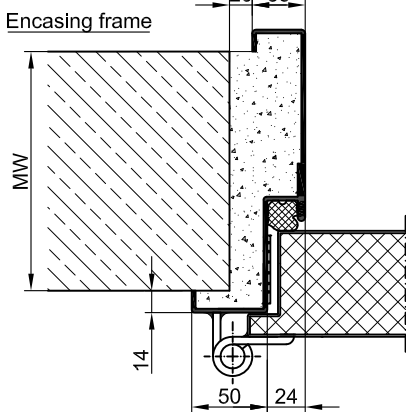
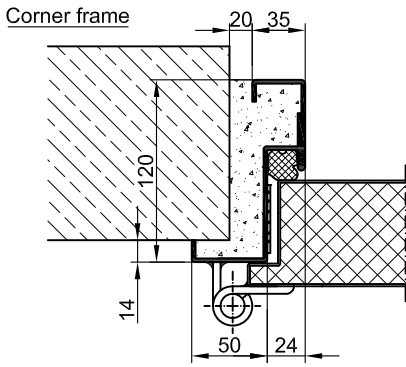
BASIC

PREMIUM

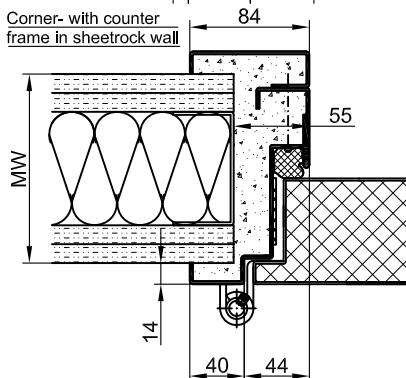
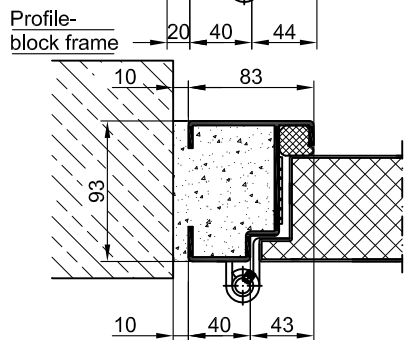
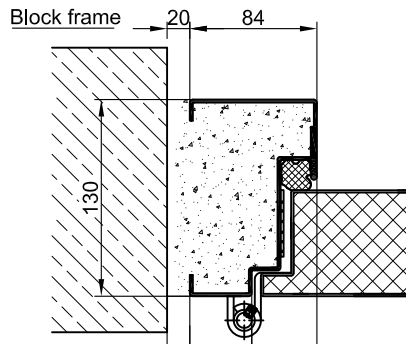
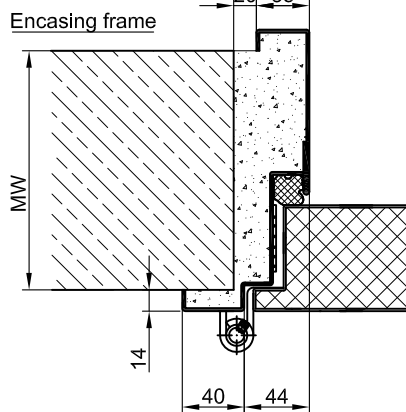
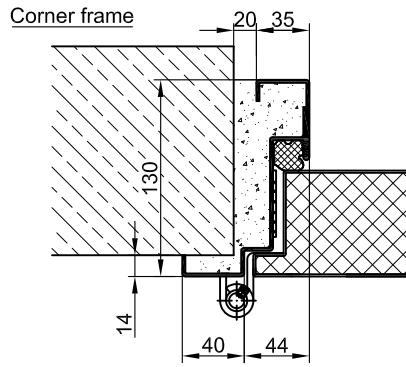
SUPERIOR



BASIC



PREMIUM



SUPERIOR

