

**Single Wing T 90 (EI<sub>2</sub> 90-SaC5) Fire Resistant Steel Door****Plane Optic****Fire Protection****T90 (EI<sub>2</sub> 90-SaC5) in accordance with DIN EN 1634-1**

* Smoke Control	RS (S <sub>200</sub> )	in accordance with DIN EN 1634-3
* Noise Control	up to R <sub>w</sub> 54dB	in accordance with DIN EN ISO 140-3
* Burglar Proof	RC2/RC3/RC4	in accordance with DIN V ENV 1627
* Shot Proof	FB4	in accordance with DIN EN 1522
* Air Tight	up to classification 4	in accordance with DIN EN 12207
* Rain and Fire Water Tight	Classification 6A	in accordance with DIN EN 1027
* Wind Tight	Classification C5	in accordance with DIN EN 12211
* Pressure Resistant	up to 18 kPa	
* Explosion Protection	up to zone 1/21	in acc. with DIN EN 1127-1 or ATEX 94/9/EG
* Stainless Steel		

Range of Dimensions Door:        Width from 625 mm to 1375 mm  
   Height from 1750 mm to 2500 mm

Range of Dimensions Hatch:      Width from 625 mm to 750 mm  
   Height from 500 mm to 1750 mm

\* (special options see back of this page)

**Technical specification and text for invitation to tender**

<b>Product:</b>	<b>T90-1 (EI<sub>2</sub> 90-SaC5) single wing fire resistant steel door brand Buchele in accordance with DIN EN 1634-1</b>
<b>Door Type:</b>	<b>PLANE Line PL 901 BASIC</b>
<b>Dimensions:</b>	.... x .... mm
<b>Door Leaf:</b>	Double walled, level 70 mm thick steel door leaf without hinge embossing, three sides folded with thick rebate without bottom stop. Special insulating inserts completely laid in and glued. Safety bolt screwed in door leaf fold.
<b>Sill:</b>	Floor bracket as separation bar. Surface galvanized and welded to the frame.
<b>Frame:</b>	3-sided circumferential folded corner frame with visible black coated intumescent material in fold. High-quality multi-chamber sealing profile adjustable fixed in the three sided groove.
<b>Hinges:</b>	Threepart height-adjustable construction hinges with hinge pin retention and ball-bearing spacer ring for smooth door movement.
<b>Door Closer:</b>	Standard arm door closer according to DIN EN 1154 silver colored mounted on hinge side.
<b>Fitting:</b>	Mortice lock with latch lever function in accordance with DIN EN 12209 (prepared for installation of a profile cylinder lock provided by customer). Door handle set in accordance with DIN EN 1906 firmly installed turnable synthetic material black in U-shape with rounded short-plate.

**Type PLANE Line PL 901 PREMIUM**

- Frame:** Three sided circumferential folded PLANE Line special corner frame for flush mounted optics on hinge side. With visible black coated intumescent material in fold. High-quality multi-chamber sealing profile adjustable fixed in the three sided groove.
- Hinges:** Object hinges type VB-3D 160 adjustable in three dimensions. Reception element with internal positioned slide bearings for smooth door movement.
- Door Closer:** Slide channel door closer system in accordance with DIN EN 1154 silver colored mounted on hinge side.

**Type PLANE Line PL 901 SUPERIOR**

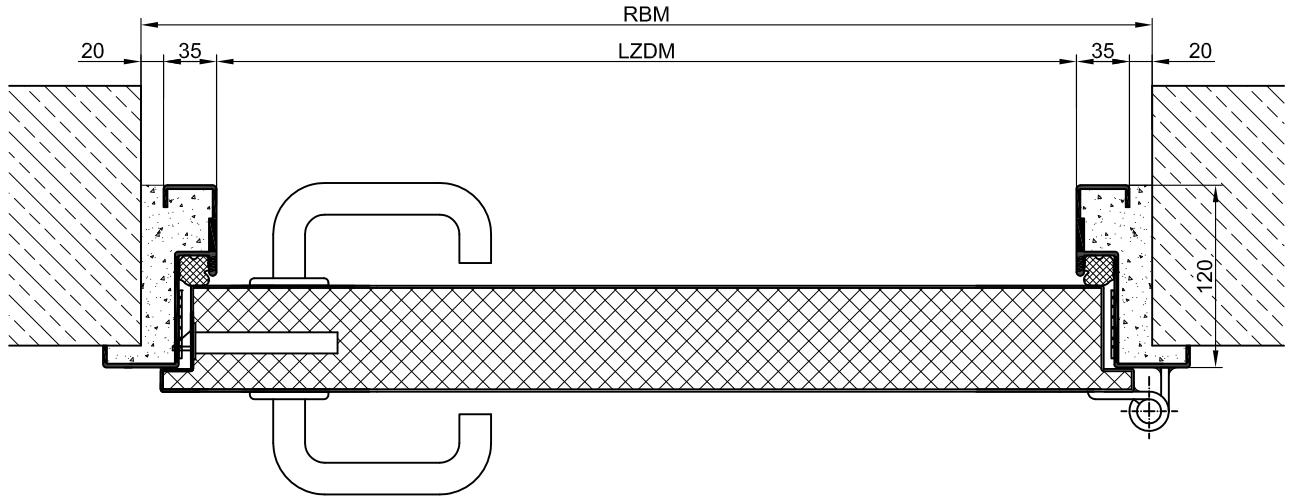
- Frame:** Three sided circumferential folded PLANE Line special corner frame for flush mounted optics on hinge side. With visible black coated intumescent material in fold. High-quality multi-chamber sealing profile adjustable fixed in the three sided groove.
- Hinges:** Concealed hinge system adjustable in three dimensions.
- Door Closer:** Concealed slide channel door closer system in accordance with DIN EN 1154 integrated in frame and door leaf.
- Surface:** Door leaf and frame galvanized and primed with one component primer similar RAL 7001.
- Mounting:** Delivery and professional assembly including filling of the cavities in the frame with mortar of group III.
- Installation:**
- |                   |          |
|-------------------|----------|
| Masonry           | ≥ 175 mm |
| Concrete          | ≥ 140 mm |
| Aerated concrete  | ≥ 200 mm |
| Mounting wall F60 | ≥ 125 mm |

**Special Models**

- Standard Glazing:** F90 fireproof glazing held by profiled and visibly screwed steel glazing bars.  
Minimum frieze width Lock side 240 mm, side and top 133 mm, base 300 mm.
- Smoke Protection:** Drop seal or stop sill.
- Sound Insulation:** Drop seal, hump sill or stop sill.
- Burglary Protection:** RC 2, RC 3 or RC 4 safety package with safety fitting.
- Bullet Proof:** FB 4-NS special inlay in door leaf and frame.
- Airtight:** High-quality multi-chamber sealing profile adjustable fixed in the three sided groove of the frame in connection with a drop seal or a stop seal.
- Driving Rain Water tight:** High-quality multi-chamber sealing profile adjustable fixed in the three sided groove of the frame in connection with a drop seal or a stop seal.
- Windproof** High-quality multi-chamber sealing profile adjustable fixed in the three sided groove of the frame in connection with a drop seal or a stop seal

**Stainless Steel:**

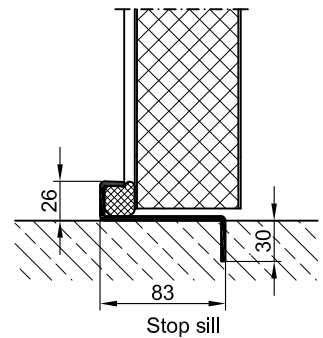
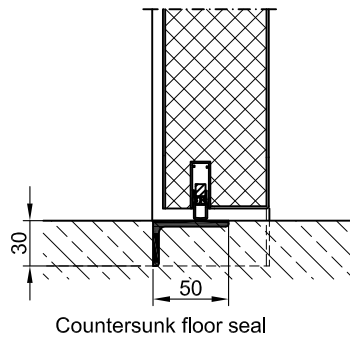
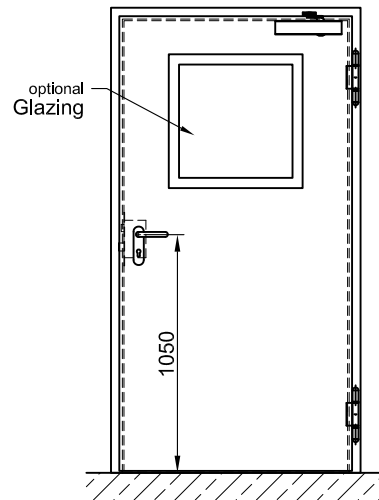
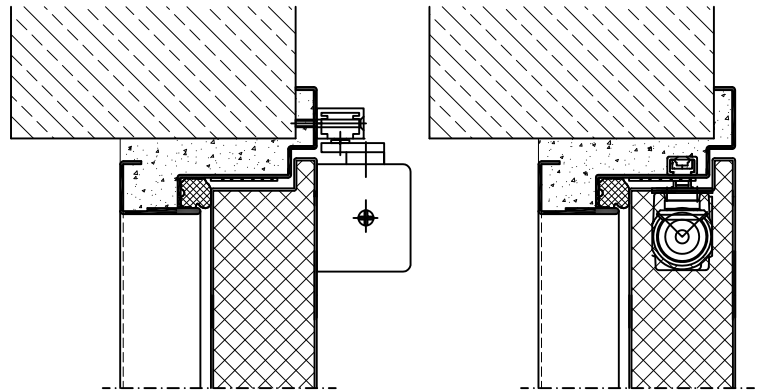
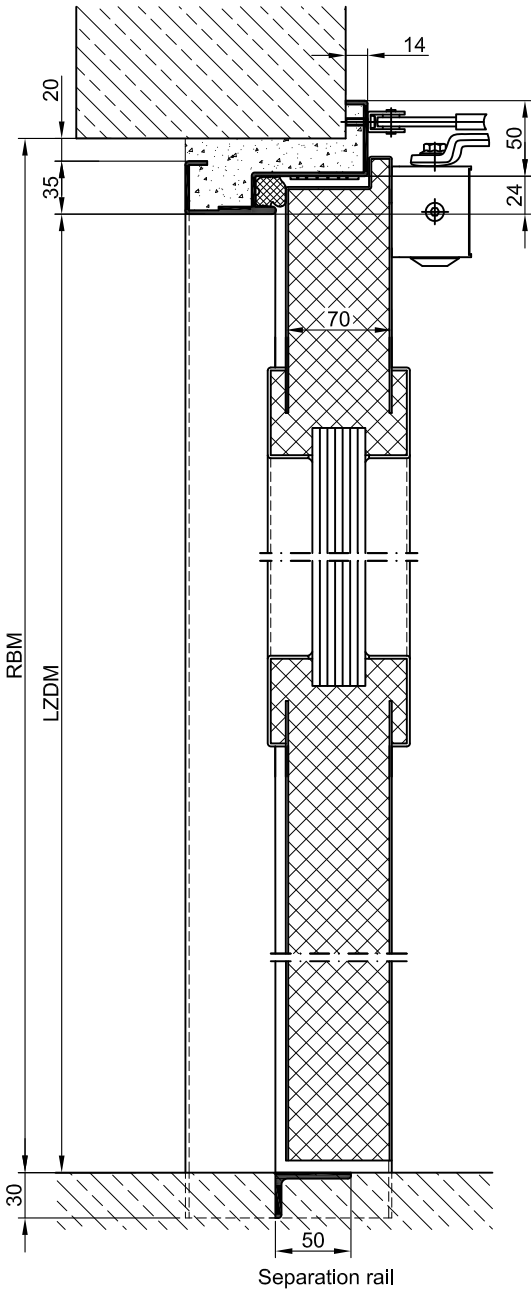
Material 1.4301 (V2A) or. 1.4571 (V4A),  
Surface bright mill, brushed or mattet



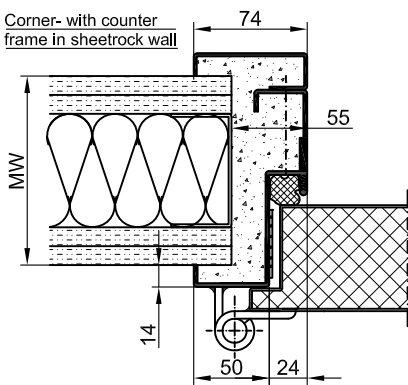
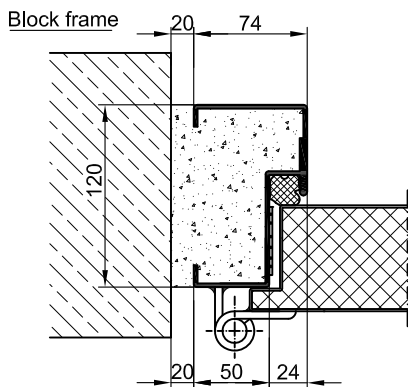
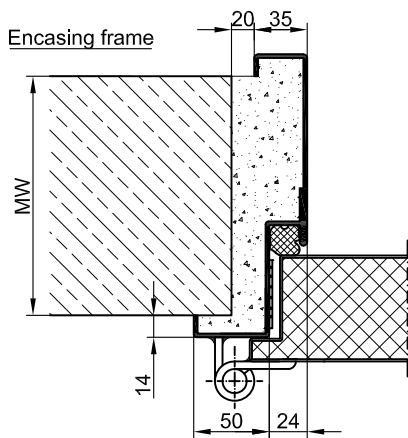
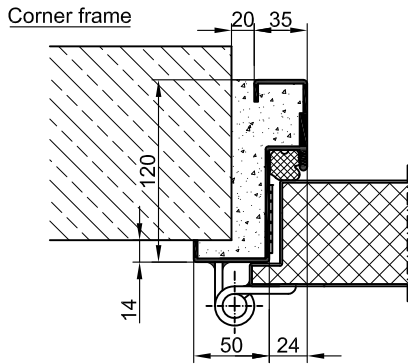
BASIC

PREMIUM

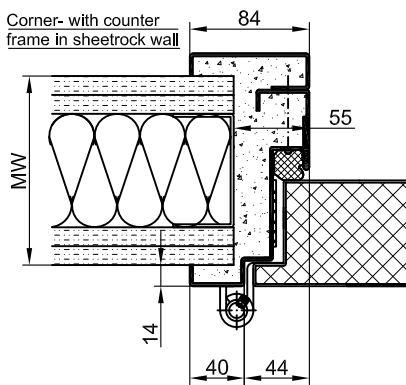
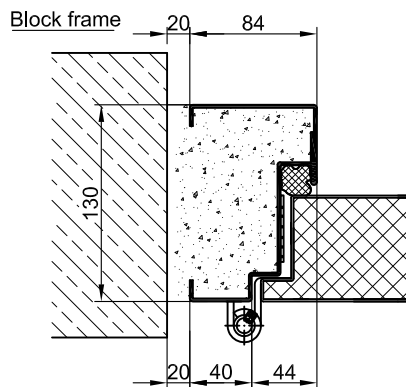
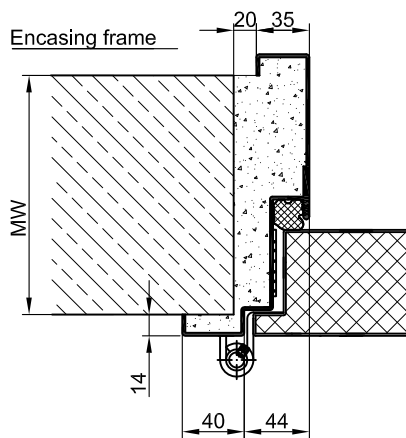
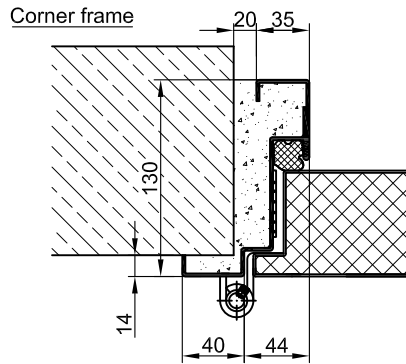
SUPERIOR



**BASIC**



**PREMIUM**



**SUPERIOR**

