

Double Wing T 30 Fire Retardant Acoustic Door and Flap

Fire Protection	T30	in accordance with DIN 4102
Smoke control	RS	in accordance with DIN 18095
Noise control	R _{w,P} 42 dB	in accordance with DIN 52210

* Burglar Proof	RC2/RC3/RC4	in accordance with DIN V ENV 1627
* Top plate/ top light, side part		
* Stainless Steel		

Range of Dimensions door: Width from 1375 mm to 4250 mm
 Height from 1750 mm to 4250 mm

(* special options see back of page)

Technical specification and text for invitation to tender

Product:	T30-2 double wing fire retardant steel door brand Buchele In accordance with DIN 4102
Door Type:	T30-2 TSN-2 (System Schröders)
Noise controll R_{w,P} dB
Dimensions: x mm
Door Leaf:	Double walled, level 69 mm thick steel door leaf without hinge embossing, three sides folded with thin rebate without bottom stop. With drop seal to the floor. Special insulating inserts completely laid in and glued. Safety bolt screwed in door leaf fold.
Sill:	Floor bracket as separation bar. Surface galvanized and welded to the frame.
Frame:	3-sided circumferential folded corner frame with visible black coated intumescent material in fold. Sealing profile adjustable fixed in the three sided groove.
Hinges:	Threepart height-adjustable construction hinges with hinge pin retention and ball-bearing spacer ring for smooth door movement.
Door Closer:	2 pieces Standard arm door closer according to DIN EN 1154 silver colored mounted on hinge side. 1 piece door coordinator device
Fitting:	Active door leaf with mortice lock with latch lever function in accordance with DIN EN 12209 (prepared for installation of a profile cylinder lock provided by customer). Door handle set in accordance with DIN EN 1906 firmly installed turnable synthetic material black in U-shape with rounded short-plate. Inactive door leaf with espagnolette bolt lock in the central rebate profile.
Surface:	Door leaf and frame galvanized and primed with one component primer similar RAL 7001.

Mounting: Delivery and professional assembly including filling of the cavities in the frame with mortar of group III.

Installation: in brick wall ≥ 115 mm
in concrete ≥ 100 mm

Special Models

Smoke Protection: Drop seal or stop sill.

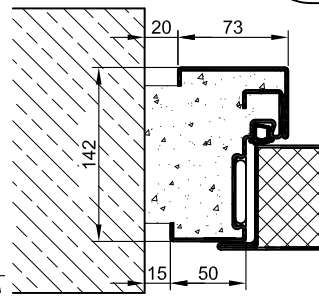
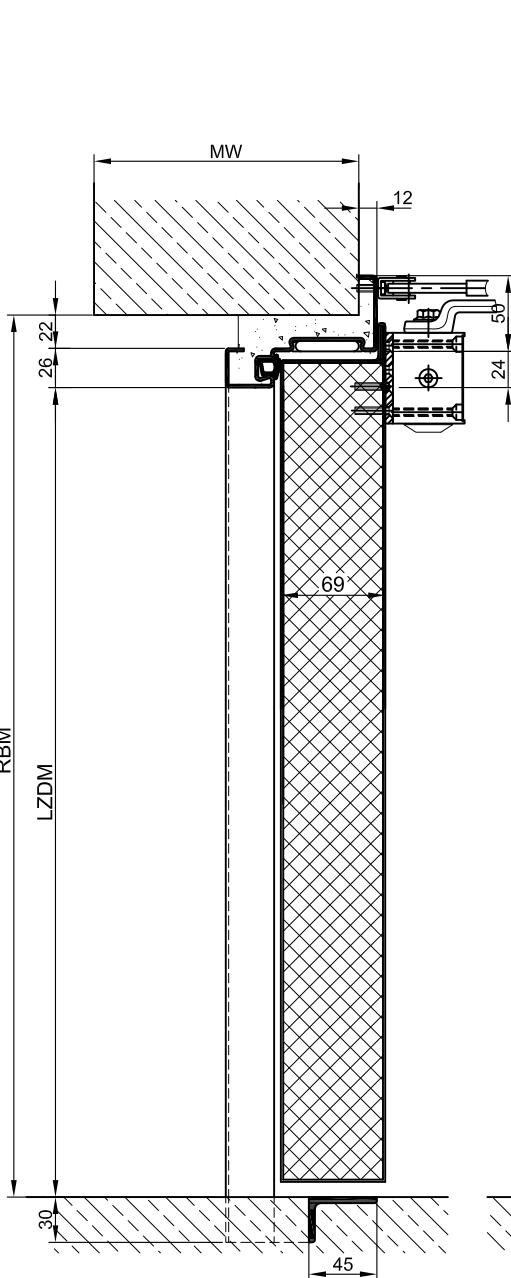
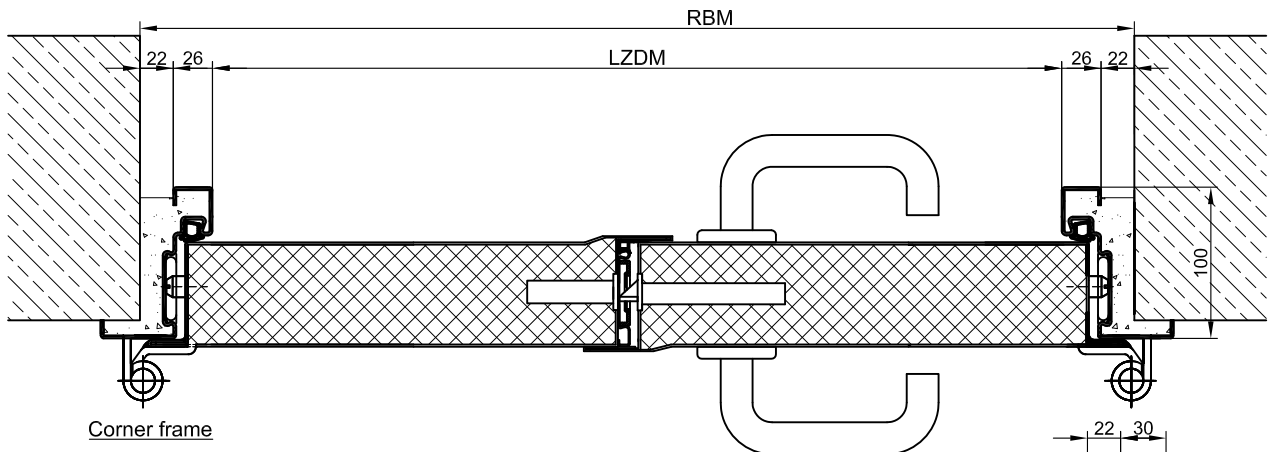
Sound Insulation: Drop seal or stop sill.

Burglary Protection: RC 2, RC 3 or RC 4 safety package with safety fitting.

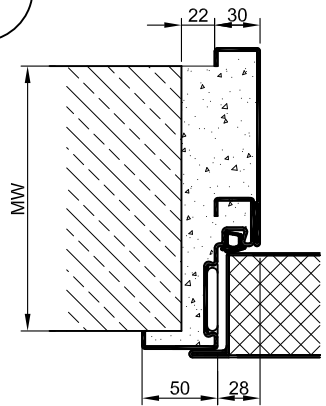
Glazing: F30 Fire protection glass, held by steel glass bars minimum frieze width circumferential 90 mm. max. glass size 940 x 2195 mm.

With top plate res. top light: Top light with F30 fire protection glass, min. frieze circumferential 90 mm

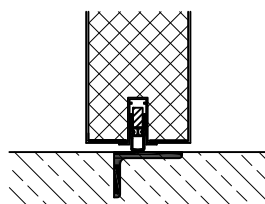
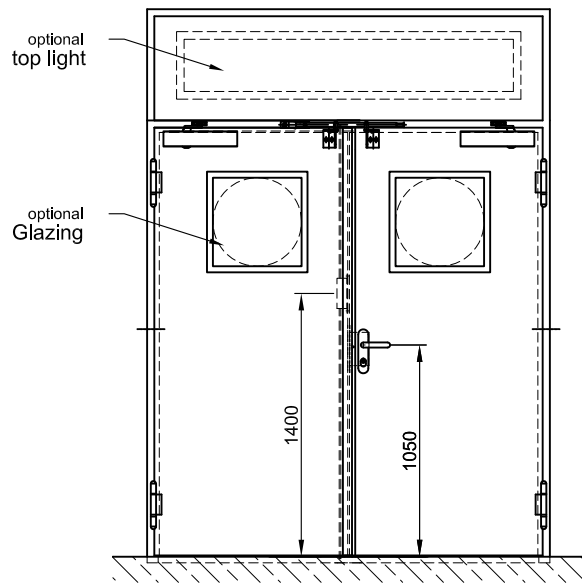
Stainless Steel: Material 1.4301 (V2A) or. 1.4571 (V4A),
Surface bright mill, brushed or mattet



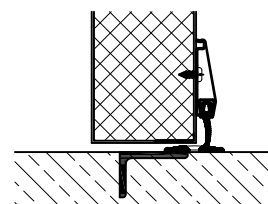
Block frame



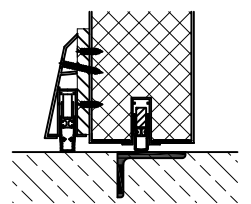
Encasing frame



Countersunk floor seal
Noise control $R_w = 37$ dB



Slide seal
Noise control $R_w = 39$ dB



Countersunk floor seal
Noise control $R_w = 42$ dB