

Single Wing T 30 (EI₂ 30-SaC5) Fire Retardant Security Steel Door

Plane Optic
Fire Protection
Burglar Proof

T30 (EI₂ 30-SaC5) in accordance with DIN EN 1634-1
RC2/RC3/RC4/RC5 in accordance with DIN EN 1627

* Smoke Control	RS (S ₂₀₀)	in accordance with DIN EN 1634-3
* Noise Control	up to R _w 46 dB	in accordance with DIN EN ISO 10140-2
* Shot Inhibiting	FB4	in accordance with DIN EN 1522
* Air Tight	Class. 4	in accordance with DIN EN 1026
* Rain and Fire Water Tight	Class. 6A	in accordance with DIN EN 1027
* Wind tight	Class. C5	in accordance with DIN EN 12211
* Pressure resistant	up to 18 kPa	
* Explosion protection	up to zone 1/21	in acc. with DIN EN 1127-1 or ATEX 94/9/EG
* Stainless steel		

Range of Dimensions Door: **Width from 625 mm to 1500 mm**
Height from 1750 mm to 3000 mm

Range of Dimensions Hatch: **Width from 625 mm to 750 mm**
Height from 500 mm to 1750 mm

* (special options see back of this page)

Door Type	Resistance class	Lock
Plane Line PL 301	RC 2	one point lock
Plane Line PL 301	RC 3	one point lock
Plane Line PL 301	RC 4	three point lock
Plane Line PL 301	RC 5	five point lock

Technical specification and text for invitation to tender

Product:	T30-1 (EI ₂ 30-SaC5) single wing fire retardant steel door brand Buchele in accordance with DIN EN 1634-1 and DIN EN 1627
Door Type:	PLANE Line PL 301 BASIC
Burglar Proof:	RC
Dimensions: x mm
Door Leaf:	Double walled, level 70 mm thick steel door leaf without hinge embossing, three sides folded with thick rebate without bottom stop. Special insulating inserts completely laid in and glued. Safety bolt screwed in door leaf fold.
Sill:	Floor bracket as separation bar. Surface galvanized and welded to the frame.
Frame:	3-sided circumferential folded corner frame with visible black coated intumescent material in fold. High-quality multi-chamber sealing profile adjustable fixed in the three sided groove.

Hinges:	Threepart height-adjustable construction hinges with hinge pin retention and ball-bearing spacer ring for smooth door movement.
Door Closer:	Standard arm door closer according to DIN EN 1154 silver colored mounted on hinge side.
Fitting RC2:	2-point safety locking system with latch lever function in accordance with DIN EN 12209 (prepared for installation of a profile cylinder lock provided by customer). Safety door handle set with DIN EN 18257 firmly installed turnable aluminium F1 in U-shape with rounded protective plate.
Fitting RC3:	2-point safety locking system with latch lever function in accordance with DIN EN 12209 (prepared for installation of a profile cylinder lock provided by customer). Safety door handle set with DIN EN 18257 firmly installed turnable aluminium F1 in U-shape with rounded protective plate.
Fitting RC4:	4-point safety locking system with latch lever function in accordance with DIN EN 12209 (prepared for installation of a profile cylinder lock provided by customer). Safety door handle set with DIN EN 18257 firmly installed turnable aluminium F1 in U-shape with rounded protective plate.
Fitting RC5:	6-point safety locking system with latch lever function in accordance with DIN EN 12209 (prepared for installation of a profile cylinder lock provided by customer). Special safety door handle set firmly installed turnable aluminium F1 in U-shape with square protective plate.

Type PLANE Line PL 301 PREMIUM

Frame:	Three sided circumferential folded PLANE Line special corner frame for flush mounted optics on hinge side. With visible black coated intumescent material in fold. High-quality multi-chamber sealing profile adjustable fixed in the three sided groove.
Hinges:	Object hinges type VB-3D 160 adjustable in three dimensions. Reception element with internal positioned slide bearings for smooth door movement.
Door Closer:	Slide channel door closer system in accordance with DIN EN 1154 silver colored mounted on hinge side.

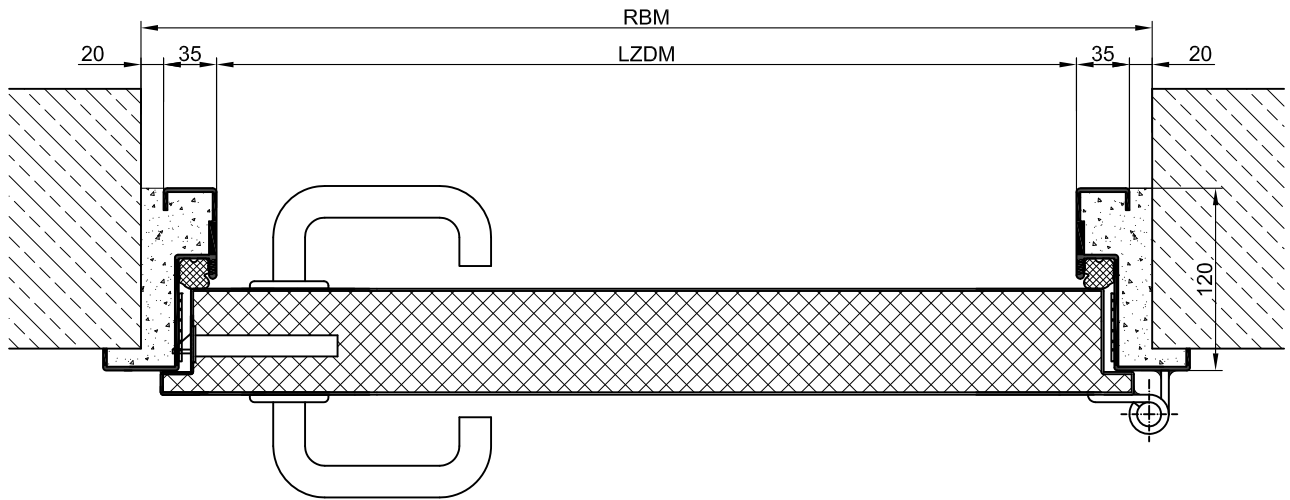
Type PLANE Line PL 301 SUPERIOR

Frame:	Three sided circumferential folded PLANE Line special corner frame for flush mounted optics on hinge side. With visible black coated intumescent material in fold. High-quality multi-chamber sealing profile adjustable fixed in the three sided groove.
Hinges:	Concealed hinge system adjustable in three dimensions.
Door Closer:	Concealed slide channel door closer system in accordance with DIN EN 1154 integrated in frame and door leaf.
Surface:	Door leaf and frame galvanized and primed with one component primer similar RAL 7001.
Mounting:	Delivery and professional assembly including filling of the cavities in the frame with mortar of group III.

Installation:	Masonry	≥ 115 mm
	Concrete	≥ 100 mm
	Aerated concrete	≥ 200 mm
	Mounting wall F60	≥ 125 mm

Special Models

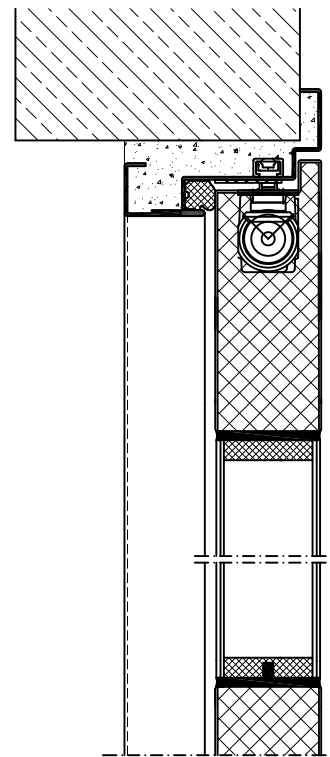
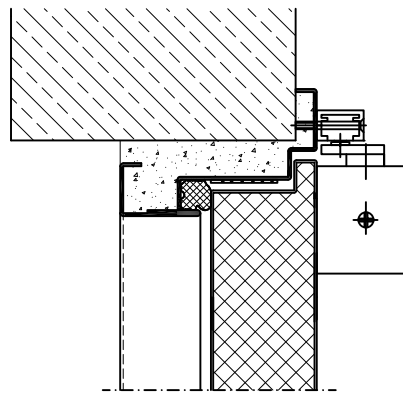
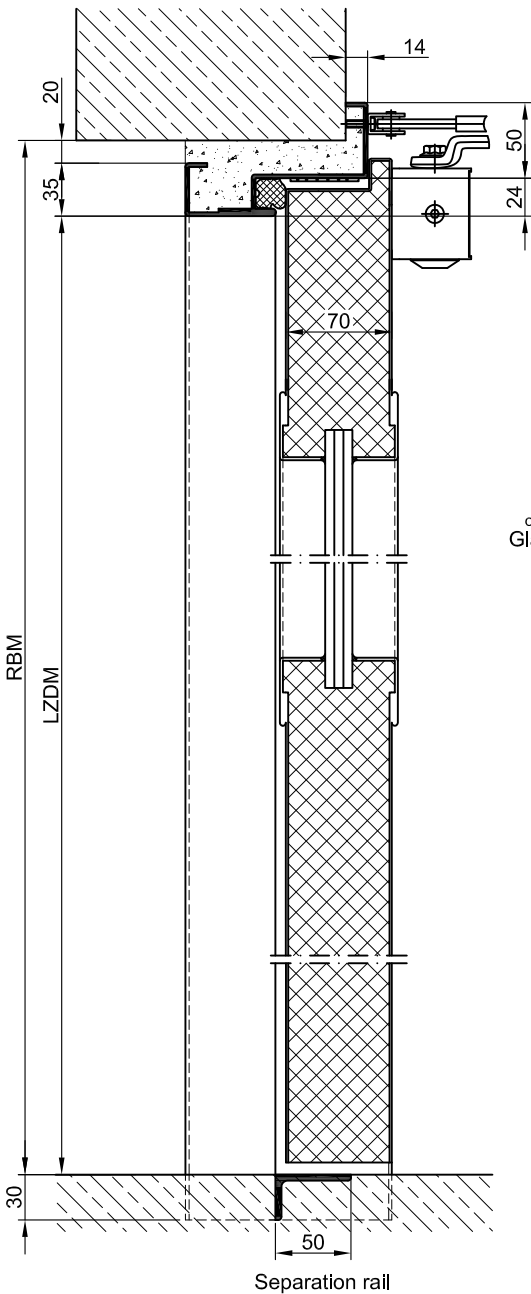
Flush Glazing:	PLANE Line F30 special glazing flush with outer edge of door leaf on hinge side and opposite of hinge side. Edge enameling and permanent elastic glazing joint in color black RAL 9004. Minimum frieze width 125 mm side and top, base 300 mm.
Standard Glazing:	F30 fireproof glazing held by profiled and visibly screwed steel glazing bars. Minimum frieze width 125 mm side and top, base 300 mm.
Smoke Protection:	Drop seal or stop sill.
Sound Insulation:	Up to $R_{w,p}$ 46 dB with drop seal or stop sill.
Bullet Proof:	FB 4-NS special inlay in door leaf and frame.
Airtight:	High-quality multi-chamber sealing profile adjustable fixed in the three sided groove of the frame in connection with a drop seal or a stop seal.
Driving Rain Water tight:	High-quality multi-chamber sealing profile adjustable fixed in the three sided groove of the frame in connection with a drop seal or a stop seal.
Windproof	High-quality multi-chamber sealing profile adjustable fixed in the three sided groove of the frame in connection with a drop seal or a stop seal
Stainless Steel:	Material 1.4301 (V2A) or. 1.4571 (V4A), Surface bright mill, brushed or mattet



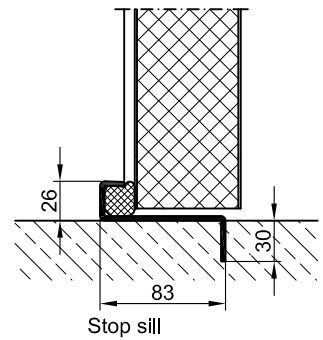
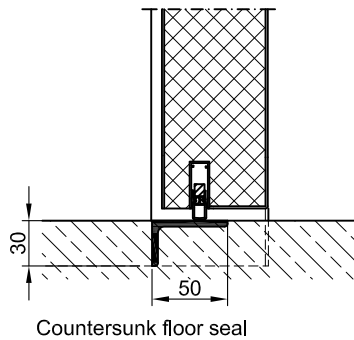
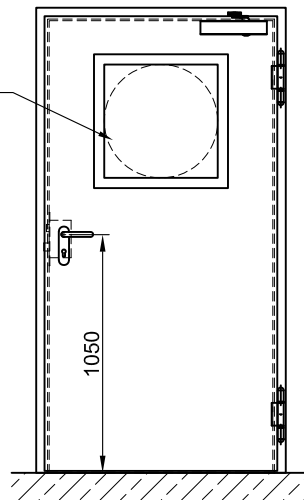
BASIC

PREMIUM

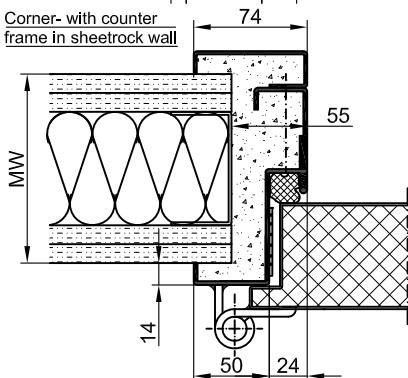
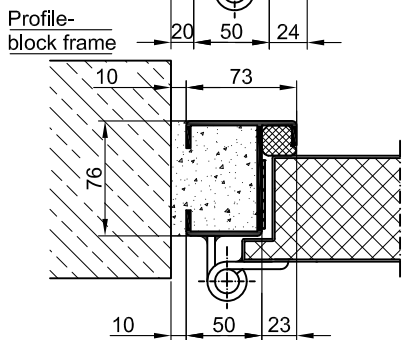
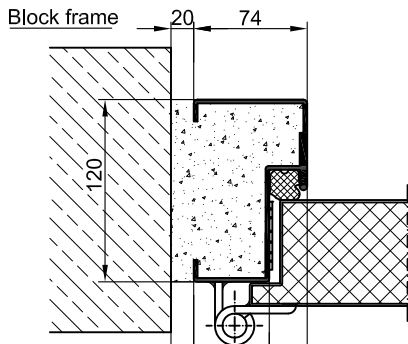
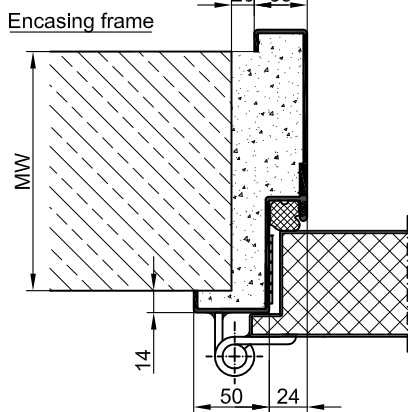
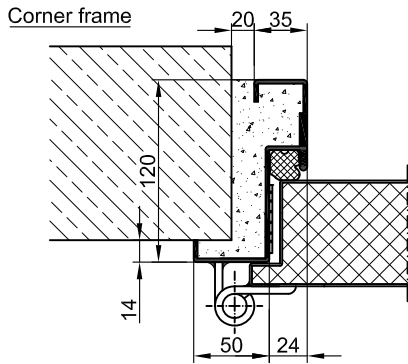
SUPERIOR



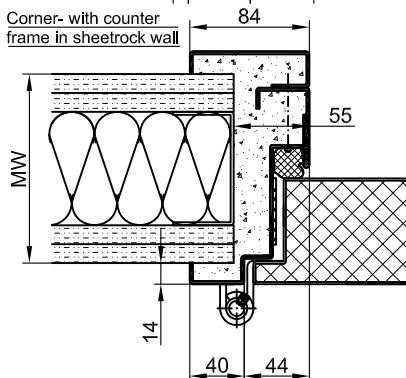
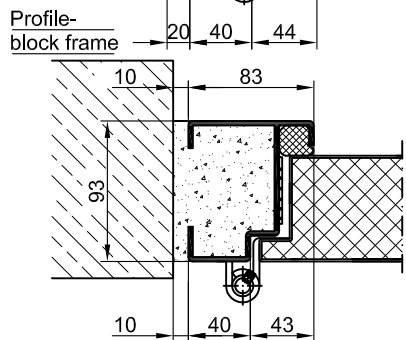
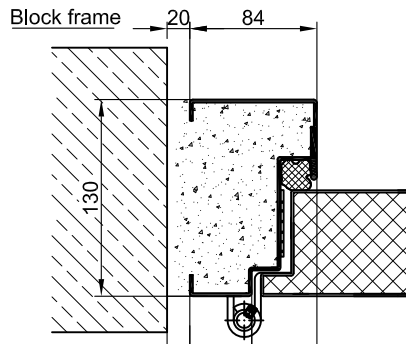
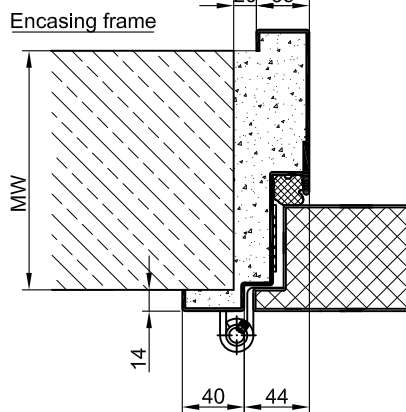
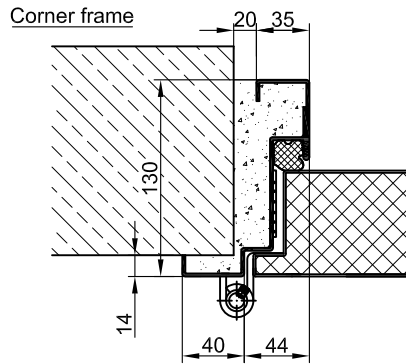
optional
Glazing



BASIC



PREMIUM



SUPERIOR

