

**Double Wing T 30 (EI<sub>2</sub> 30-SaC5) Fire Retardant Security Steel Door**

**Plane Optic  
Fire Protection  
Burglar Proof**

**T30 (EI<sub>2</sub> 30-SaC5) in accordance with DIN EN 1634-1  
RC2/RC3/RC4/RC5 in accordance with DIN EN 1627**

* Smoke Control	RS (S <sub>200</sub> )	in accordance with DIN EN 1634-3
* Noise Control	up to R <sub>w</sub> 46 dB	in accordance with DIN EN ISO 10140-2
* Shot Inhibiting	FB4	in accordance with DIN EN 1522
* Air Tight	Class. 4	in accordance with DIN EN 1026
* Rain and Fire Water Tight	Class. 6A	in accordance with DIN EN 1027
* Wind tight	Class. C5	in accordance with DIN EN 12211
* Pressure resistant	up to 5 kPa	
* Explosion protection	up to zone 1/21	in acc. with DIN EN 1127-1 or ATEX 94/9/EG
* Stainless steel		

**Range of Dimensions Door:** Width from 1375 mm to 3000 mm  
Height from 1750 mm to 3000 mm

**Range of Dimensions Hatch:** Width from 1250 mm to 1375 mm  
Height from 500 mm to 1750 mm

(\* special options see back of page)

<b>Door Type</b>	<b>Resistance class</b>	<b>Lock</b>
Plane Line PL 302	RC 2	one point lock
Plane Line PL 302	RC 3	one point lock
Plane Line PL 302	RC 4	three point lock
Plane Line PL 302	RC 5	five point lock

**Technical specification and text for invitation to tender**

<b>Product:</b>	T30-2 (EI <sub>2</sub> 30-SaC5) double wing fire retardant steel door brand Buchele in accordance with DIN EN 1634-1 and DIN EN 1627
<b>Door Type:</b>	PLANE Line PL 302 BASIC
<b>Burglar Proof:</b>	RC .....
<b>Dimensions:</b>	.... x .... mm
<b>Door Leaf:</b>	Double walled, level 70 mm thick steel door leaf without hinge embossing, three sides folded with thick rebate without bottom stop. Special insulating inserts completely laid in and glued. Safety bolt screwed in door leaf fold.
<b>Sill:</b>	Floor bracket as separation bar. Surface galvanized and welded to the frame.
<b>Frame:</b>	3-sided circumferential folded corner frame with visible black coated intumescent material in fold. High-quality multi-chamber sealing profile adjustable fixed in the three sided groove.

<b>Hinges:</b>	Threepart height-adjustable construction hinges with hinge pin retention and ball-bearing spacer ring for smooth door movement.
<b>Door Closer:</b>	2 pieces Standard arm door closer according to DIN EN 1154 silver colored mounted on hinge side. 1 piece door coordinator device
<b>Fitting RC2:</b>	<b>Active door leaf</b> with 2-point safety locking system with latch lever function in accordance with DIN EN 12209 (prepared for installation of a profile cylinder lock provided by customer). Safety door handle set with DIN EN 18257 firmly installed turnable aluminium F1 in U-shape with rounded protective plate. <b>Inactive door leaf</b> with espagnolette bolt lock in the central rebate profile.
<b>Fitting RC3:</b>	<b>Active door leaf</b> with 2-point safety locking system with latch lever function in accordance with DIN EN 12209 (prepared for installation of a profile cylinder lock provided by customer). Safety door handle set with DIN EN 18257 firmly installed turnable aluminium F1 in U-shape with rounded protective plate. <b>Inactive door leaf</b> with espagnolette bolt lock in the central rebate profile.
<b>Fitting RC4:</b>	<b>Active door leaf</b> with 4-point safety locking system with latch lever function in accordance with DIN EN 12209 (prepared for installation of a profile cylinder lock provided by customer). Safety door handle set with DIN EN 18257 firmly installed turnable aluminium F1 in U-shape with rounded protective plate. <b>Inactive door leaf</b> with espagnolette bolt lock in the central rebate profile.
<b>Fitting RC5:</b>	6-point safety locking system with latch lever function in accordance with DIN EN 12209 (prepared for installation of a profile cylinder lock provided by customer). Special safety door handle set firmly installed turnable aluminium F1 in U-shape with square protective plate. <b>Inactive door leaf</b> with espagnolette bolt lock in the central rebate profile.

**Type PLANE Line PL 302 PREMIUM**

<b>Frame:</b>	Three sided circumferential folded PLANE Line special corner frame for flush mounted optics on hinge side. With visible black coated intumescent material in fold. High-quality multi-chamber sealing profile adjustable fixed in the three sided groove.
<b>Hinges:</b>	Object hinges type VB-3D 160 adjustable in three dimentions. Reception element with internal positioned slide bearings for smooth door movement.
<b>Door Closer:</b>	Slide channel door closer system in accordance with DIN EN 1154 silver colored mounted on hinge side.

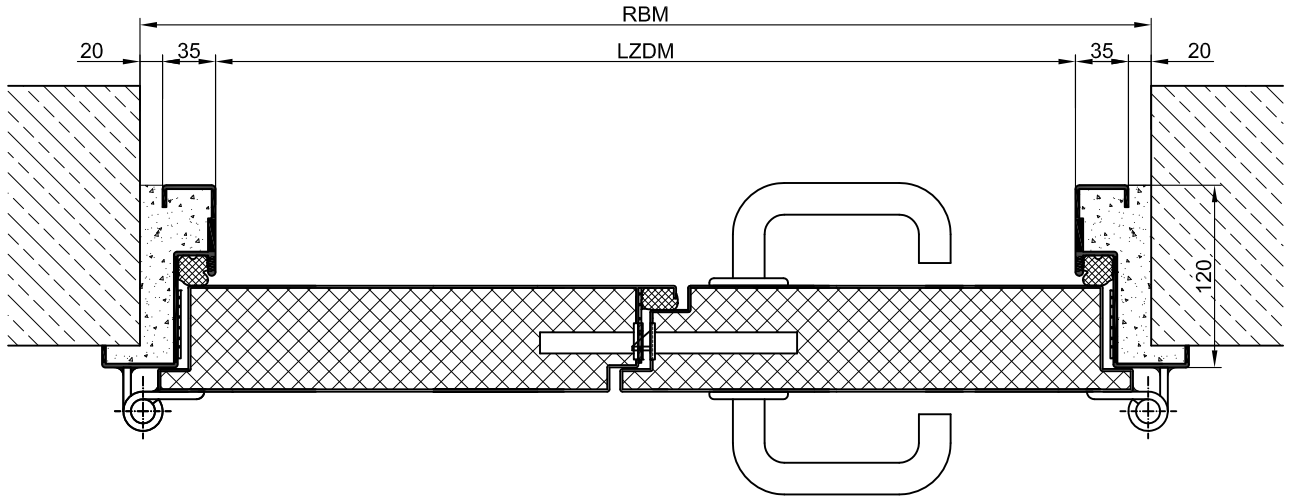
**Type PLANE Line PL 302 SUPERIOR**

<b>Frame:</b>	Three sided circumferential folded PLANE Line special corner frame for flush mounted optics on hinge side. With visible black coated intumescent material in fold. High-quality multi-chamber sealing profile adjustable fixed in the three sided groove.
<b>Hinges:</b>	Concealed hinge system adjustable in three dimensions.
<b>Door Closer:</b>	Concealed slide channel door closer system in accordance with DIN EN 1154 integrated in frame and door leaf.

<b>Surface:</b>	Door leaf and frame galvanized and primed with one component primer similar RAL 7001.
<b>Mounting:</b>	Delivery and professional assembly including filling of the cavities in the frame with mortar of group III.
<b>Installation:</b>	Masonry $\geq 115$ mm Concrete $\geq 100$ mm Aerated concrete $\geq 200$ mm Mounting wall F60 $\geq 125$ mm

### Special Models

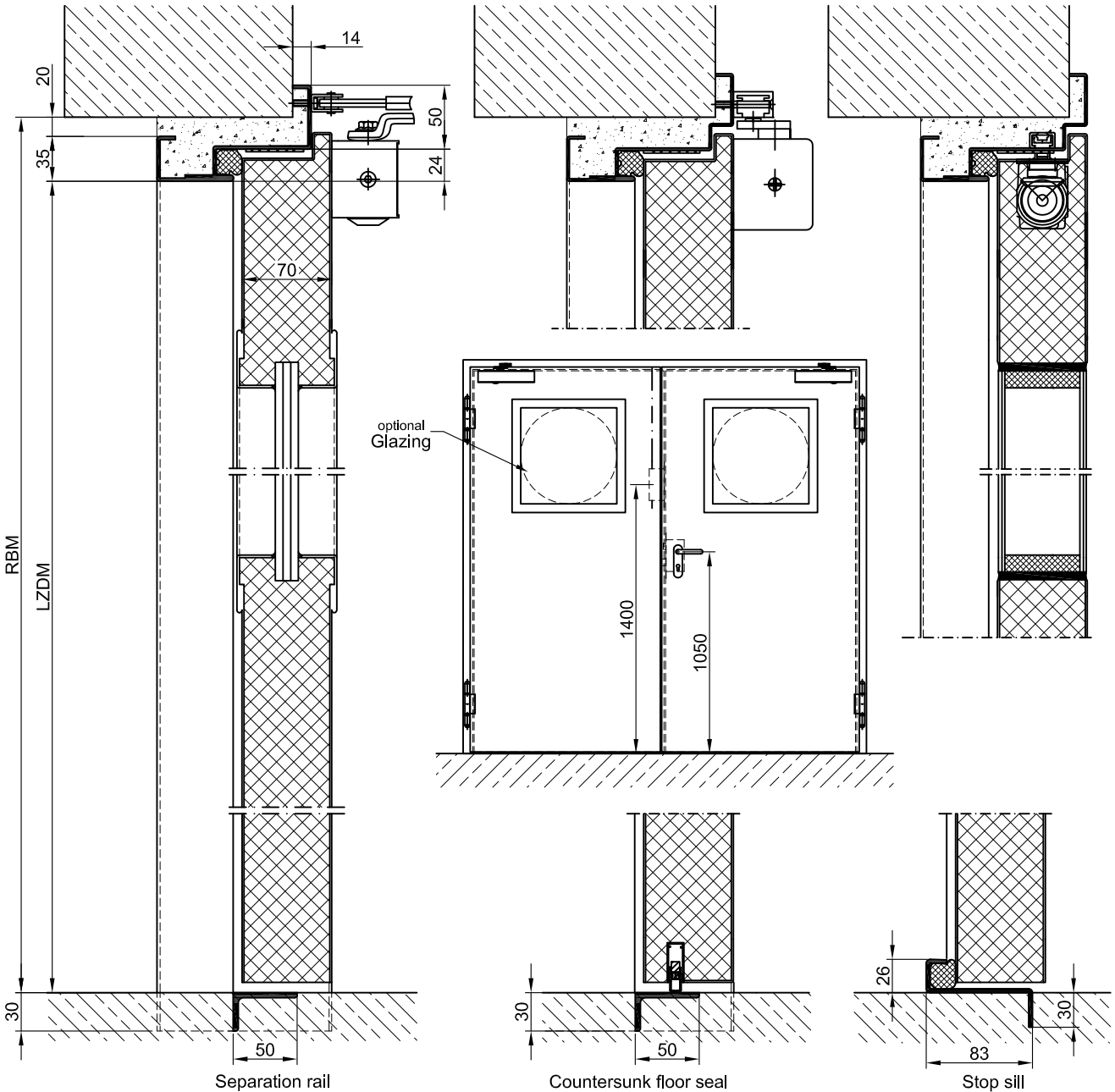
<b>Flush Glazing:</b>	<b>PLANE Line F30</b> special glazing flush with outer edge of door leaf on hinge side and opposite of hinge side. Edge enameling and permanent elastic glazing joint in color black RAL 9004. Minimum frieze width 125 mm side and top, base 300 mm.
<b>Standard Glazing:</b>	F30 fireproof glazing held by profiled and visibly screwed steel glazing bars. Minimum frieze width 125 mm side and top, base 300 mm.
<b>Smoke Protection:</b>	Drop seal or stop sill.
<b>Sound Insulation:</b>	Up to $R_{w,p}$ 46 dB with drop seal or stop sill.
<b>Bullet Proof:</b>	FB 4-NS special inlay in door leaf and frame.
<b>Airtight:</b>	High-quality multi-chamber sealing profile adjustable fixed in the three sided groove of the frame in connection with a drop seal or a stop seal.
<b>Driving Rain Water tight:</b>	High-quality multi-chamber sealing profile adjustable fixed in the three sided groove of the frame in connection with a drop seal or a stop seal.
<b>Windproof</b>	High-quality multi-chamber sealing profile adjustable fixed in the three sided groove of the frame in connection with a drop seal or a stop seal
<b>Stainless Steel:</b>	Material 1.4301 (V2A) or. 1.4571 (V4A), Surface bright mill, brushed or mattet



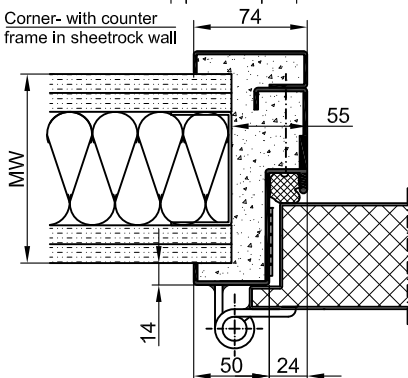
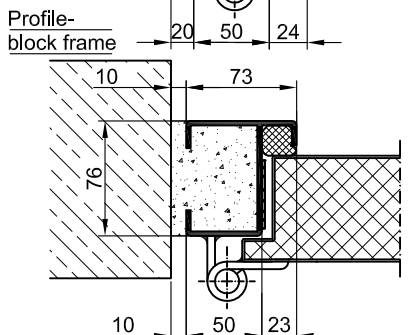
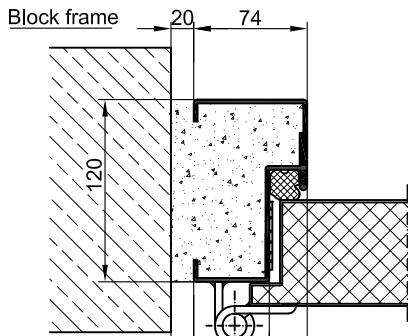
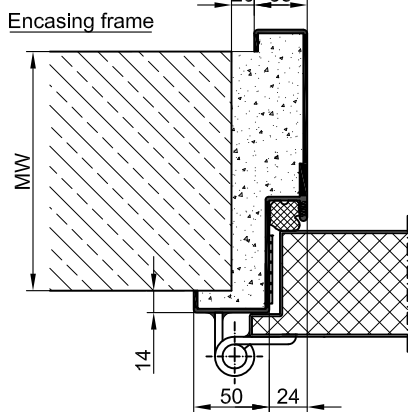
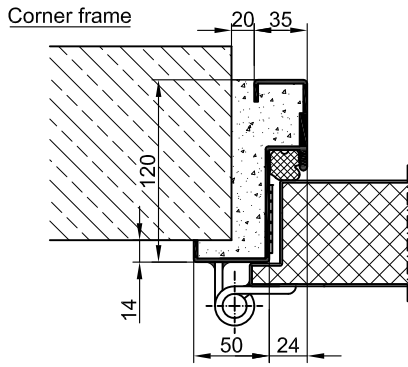
BASIC

PREMIUM

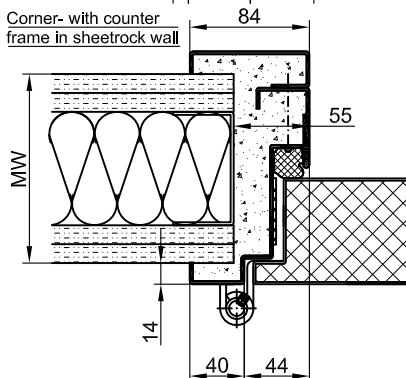
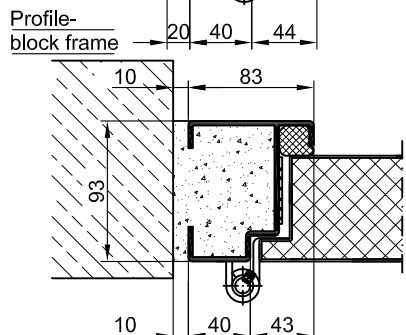
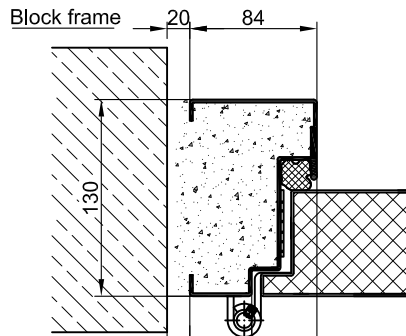
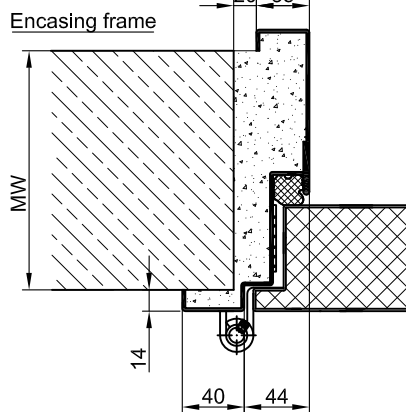
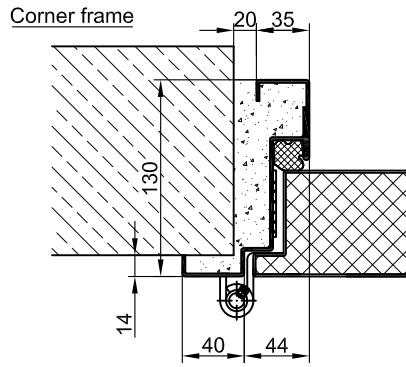
SUPERIOR



**BASIC**



**PREMIUM**



**SUPERIOR**

