

Double Wing T 90 (EI₂ 90-SaC5) Fire Resistant Security Steel Door

Plane Optic
Fire Protection T90 (EI₂ 90-SaC5) in accordance with DIN EN 1634-1
Burglar Proof RC2/RC3/RC4 in accordance with DIN EN 1627

* Smoke Control	RS (S ₂₀₀)	in accordance with DIN EN 1634-3
* Noise Control	up to R _w 46 dB	in accordance with DIN EN ISO 10140-2
* Shot Inhibiting	FB4	in accordance with DIN EN 1522
* Air Tight	Class. 4	in accordance with DIN EN 1026
* Rain and Fire Water Tight	Class. 6A	in accordance with DIN EN 1027
* Wind tight	Class. C5	in accordance with DIN EN 12211
* Pressure resistant	up to 5 kPa	
* Explosion protection	up to zone 1/21	in acc. with DIN EN 1127-1 or ATEX 94/9/EG
* Stainless steel		

Range of Dimensions Door: Width from 1375 mm to 2500 mm
Height from 1750 mm to 2500 mm

Range of Dimensions Hatch: Width from 1250 mm to 1375 mm
Height from 500 mm to 1750 mm

(* special options see back of page)

Door Type	Resistance class	Lock
Plane Line PL 902	RC 2	one point lock
Plane Line PL 902	RC 3	one point lock
Plane Line PL 902	RC 4	three point lock

Technical specification and text for invitation to tender

Product: T90-2 (EI₂ 90-SaC5) double wing fire resistant steel door brand Buchele in accordance with DIN EN 1634-1 and DIN EN 1627

Door Type: PLANE Line PL 902 BASIC

Burglar Proof: RC

Dimensions: x mm

Door Leaf: Double walled, level 70 mm thick steel door leaf without hinge embossing, three sides folded with thick rebate without bottom stop. Special insulating inserts completely laid in and glued. Safety bolt screwed in door leaf fold.

Sill: Floor bracket as separation bar. Surface galvanized and welded to the frame.

Frame: 3-sided circumferential folded corner frame with visible black coated intumescent material in fold. High-quality multi-chamber sealing profile adjustable fixed in the three sided groove.

Hinges:	Threepart height-adjustable construction hinges with hinge pin retention and ball-bearing spacer ring for smooth door movement.
Door Closer:	2 pieces Standard arm door closer according to DIN EN 1154 silver colored mounted on hinge side. 1 piece door coordinator device
Fitting RC2:	Active door leaf with 2-point safety locking system with latch lever function in accordance with DIN EN 12209 (prepared for installation of a profile cylinder lock provided by customer). Safety door handle set with DIN EN 18257 firmly installed turnable aluminium F1 in U-shape with rounded protective plate. Inactive door leaf with espagnolette bolt lock in the central rebate profile.
Fitting RC3:	Active door leaf with 2-point safety locking system with latch lever function in accordance with DIN EN 12209 (prepared for installation of a profile cylinder lock provided by customer). Safety door handle set with DIN EN 18257 firmly installed turnable aluminium F1 in U-shape with rounded protective plate. Inactive door leaf with espagnolette bolt lock in the central rebate profile.
Fitting RC4:	Active door leaf with 4-point safety locking system with latch lever function in accordance with DIN EN 12209 (prepared for installation of a profile cylinder lock provided by customer). Safety door handle set with DIN EN 18257 firmly installed turnable aluminium F1 in U-shape with rounded protective plate. Inactive door leaf with espagnolette bolt lock in the central rebate profile.

Type PLANE Line PL 902 PREMIUM

Frame:	Three sided circumferential folded PLANE Line special corner frame for flush mounted optics on hinge side. With visible black coated intumescent material in fold. High-quality multi-chamber sealing profile adjustable fixed in the three sided groove.
Hinges:	Object hinges type VB-3D 160 adjustable in three dimentions. Reception element with internal positioned slide bearings for smooth door movement.
Door Closer:	Slide channel door closer system in accordance with DIN EN 1154 silver colored mounted on hinge side.

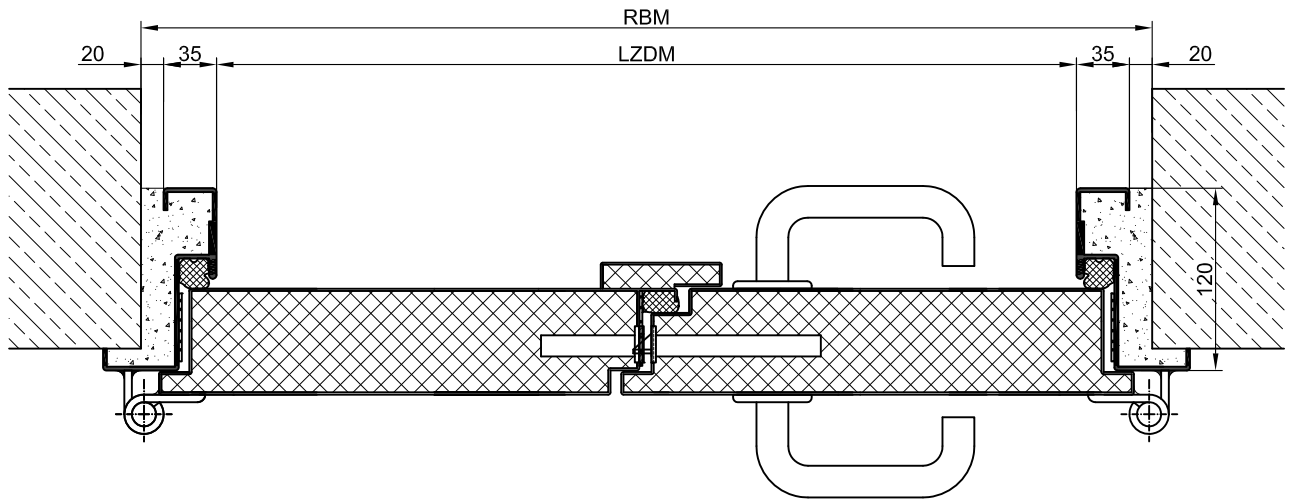
Type PLANE Line PL 902 SUPERIOR

Frame:	Three sided circumferential folded PLANE Line special corner frame for flush mounted optics on hinge side. With visible black coated intumescent material in fold. High-quality multi-chamber sealing profile adjustable fixed in the three sided groove.
Hinges:	Concealed hinge system adjustable in three dimensions.
Door Closer:	Concealed slide channel door closer system in accordance with DIN EN 1154 integrated in frame and door leaf.
Surface:	Door leaf and frame galvanized and primed with one component primer similar RAL 7001.
Mounting:	Delivery and professional assembly including filling of the cavities in the frame with mortar of group III.

Installation:	Masonry	≥ 175 mm
	Concrete	≥ 240 mm
	Aerated concrete	≥ 200 mm
	Mounting wall F90	≥ 125 mm

Special Models

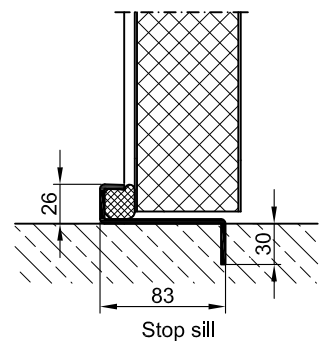
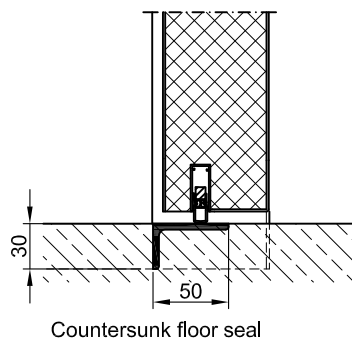
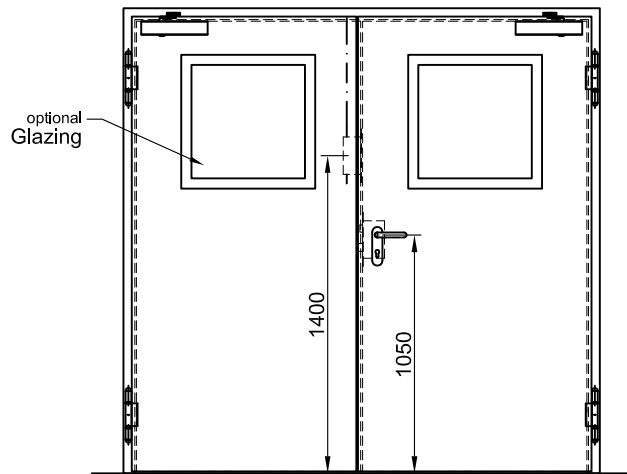
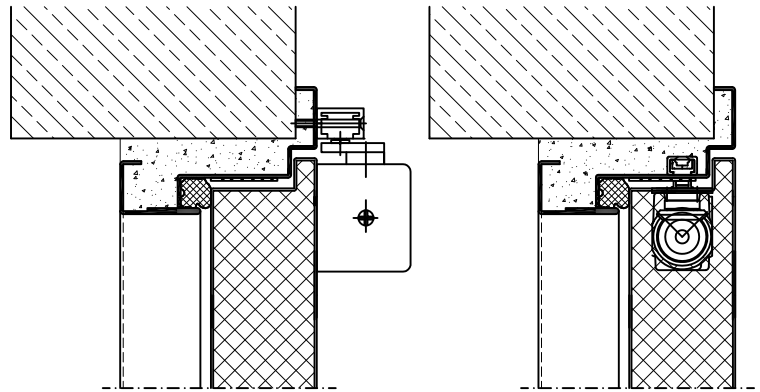
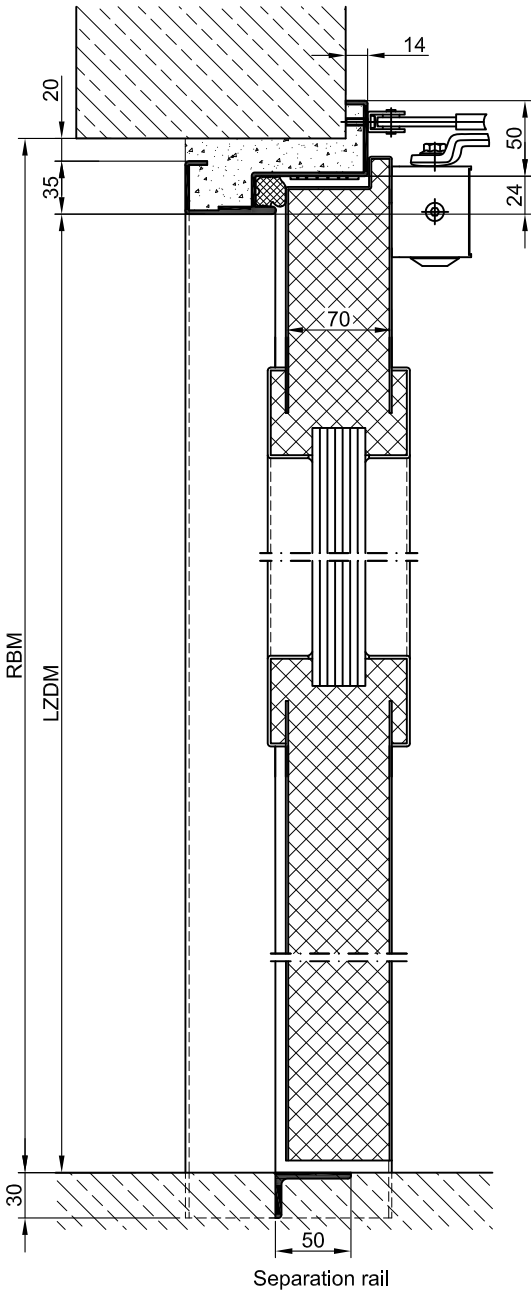
Standard Glazing:	F90 fireproof glazing held by profiled and visibly screwed steel glazing bars. Minimum frieze width Lock side 240 mm, side and top 133 mm, base 300 mm.
Smoke Protection:	Drop seal or stop sill.
Sound Insulation:	Up to $R_{w,p}$ 46 dB with drop seal or stop sill.
Bullet Proof:	FB 4-NS special inlay in door leaf and frame.
Airtight:	High-quality multi-chamber sealing profile adjustable fixed in the three sided groove of the frame in connection with a drop seal or a stop seal.
Driving Rain Water tight:	High-quality multi-chamber sealing profile adjustable fixed in the three sided groove of the frame in connection with a drop seal or a stop seal.
Windproof	High-quality multi-chamber sealing profile adjustable fixed in the three sided groove of the frame in connection with a drop seal or a stop seal
Stainless Steel:	Material 1.4301 (V2A) or. 1.4571 (V4A), Surface bright mill, brushed or mattet



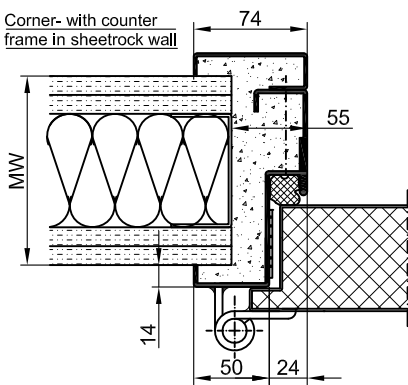
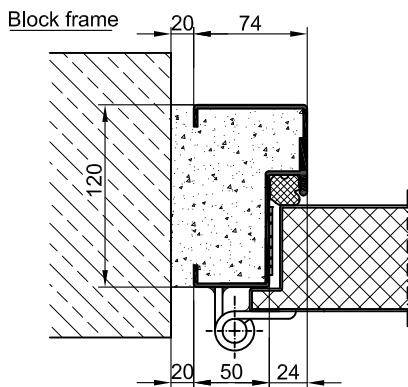
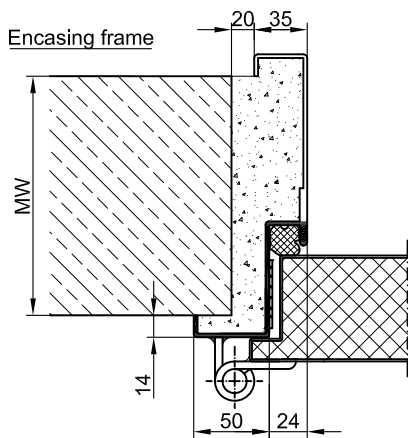
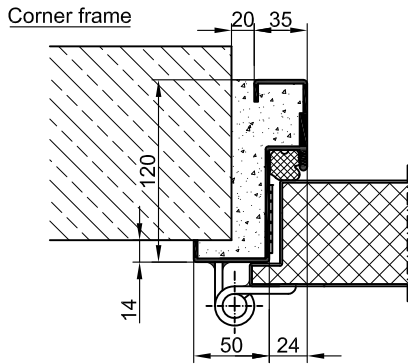
BASIC

PREMIUM

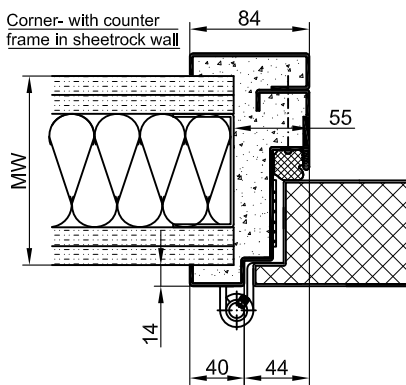
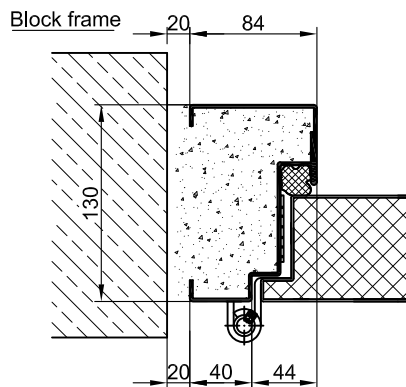
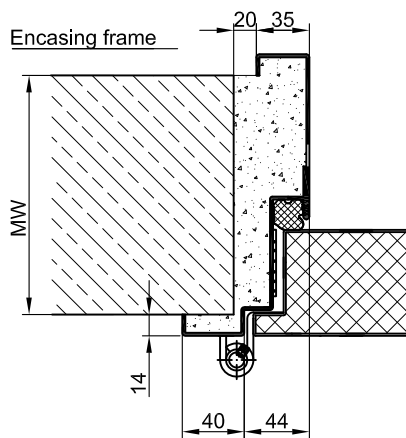
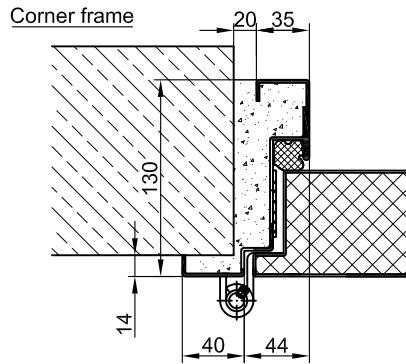
SUPERIOR



BASIC



PREMIUM



SUPERIOR

