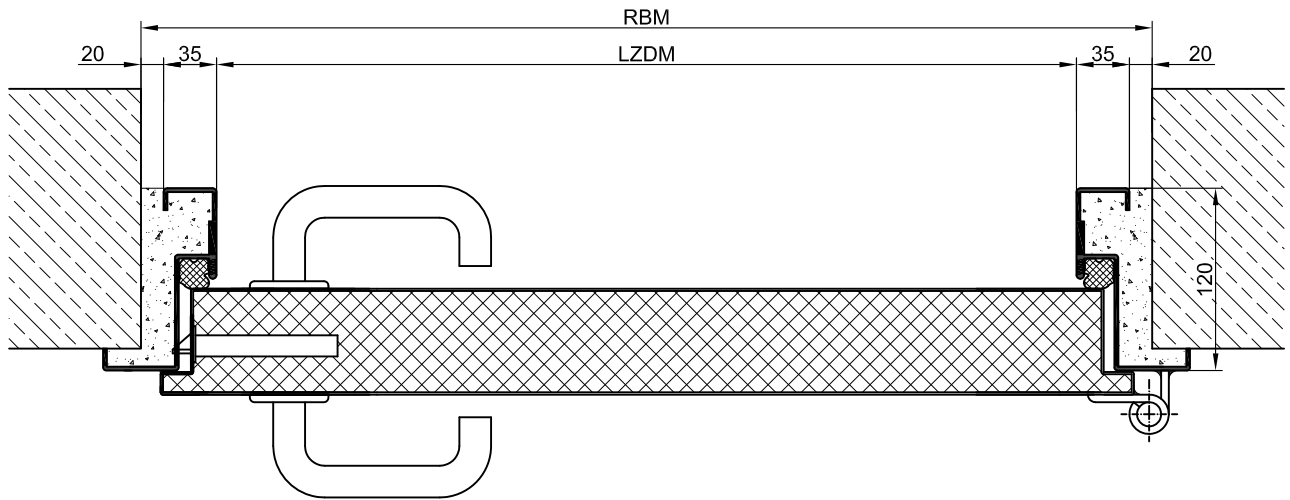


Type PLANE Line PL 1 SUPERIOR

Frame:	Three sided circumferential folded PLANE Line special corner frame for flush mounted optics on hinge side. With visible black coated intumescent material in fold. High-quality multi-chamber sealing profile adjustable fixed in the three sided groove.
Hinges:	Concealed hinge system adjustable in three dimensions.
Surface:	Door leaf and frame galvanized and primed with one component primer similar RAL 7001.
Mounting:	Delivery and professional assembly including filling of the cavities in the frame with mortar of group III.

Special Models

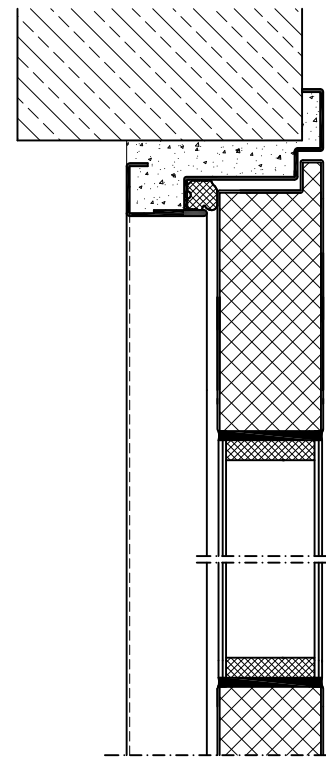
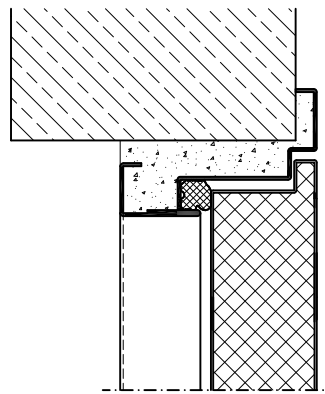
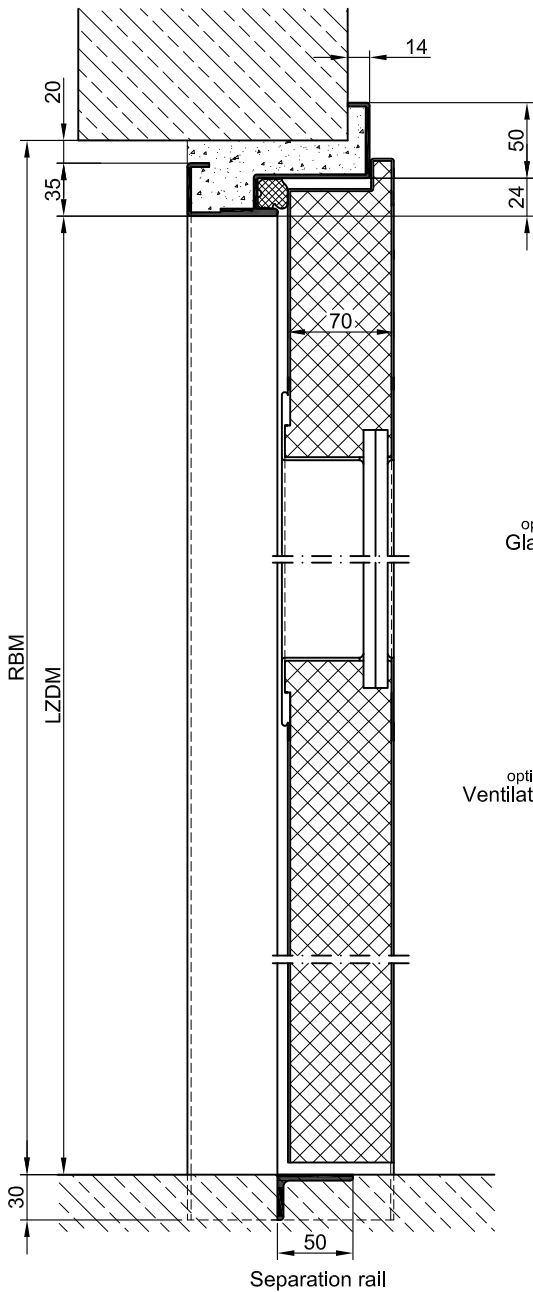
Flush Glazing:	PLANE Line special glazing flush with outer edge of door leaf on hinge side and opposite of hinge side. Edge enameling and permanent elastic glazing joint in color black RAL 9004. Minimum frieze width 125 mm side and top, base 300 mm.
Standard Glazing:	Glazing held by profiled and visibly screwed steel glazing bars. Minimum frieze width 125 mm side and top, base 300 mm.
Sound Insulation:	Drop seal or stop sill.
Burglary Protection:	RC 2, RC 3 or RC 4 safety package with safety fitting.
Bullet Proof:	FB 4-NS special inlay in door leaf and frame.
Airtight:	High-quality multi-chamber sealing profile adjustable fixed in the three sided groove of the frame in connection with a drop seal or a stop seal.
Driving Rain Water tight:	High-quality multi-chamber sealing profile adjustable fixed in the three sided groove of the frame in connection with a drop seal or a stop seal.
Windproof	High-quality multi-chamber sealing profile adjustable fixed in the three sided groove of the frame in connection with a drop seal or a stop seal
Top Panel / Top Light:	Top panel built like door leaf Top light with solid glazing (glazing type optional)
Ventilation Grille:	Slanted segments in profile frame (standard) Poke protected slanted double segments in profile frame
Stainless Steel:	Material 1.4301 (V2A) or. 1.4571 (V4A), Surface bright mill, brushed or mattet



BASIC

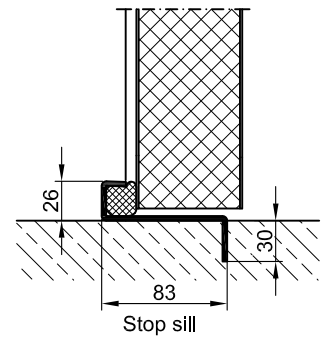
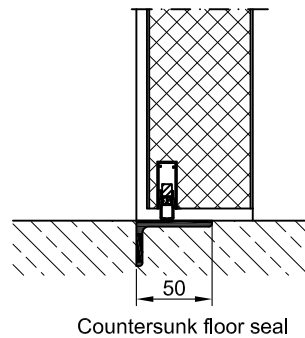
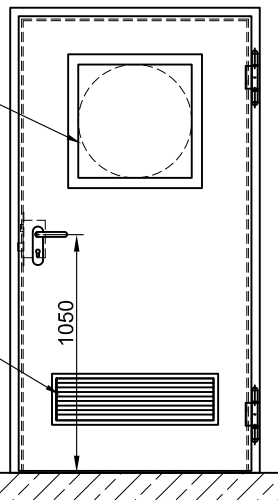
PREMIUM

SUPERIOR



optional
Glazing

optional
Ventilation grille

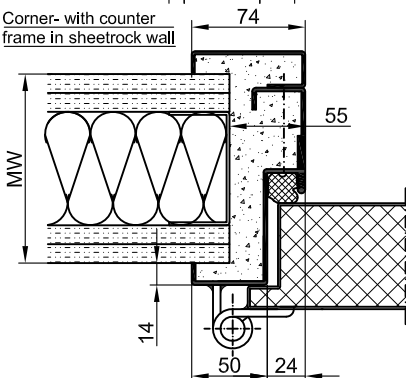
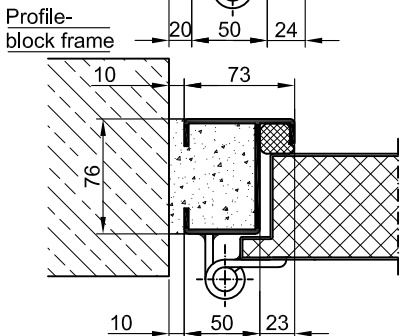
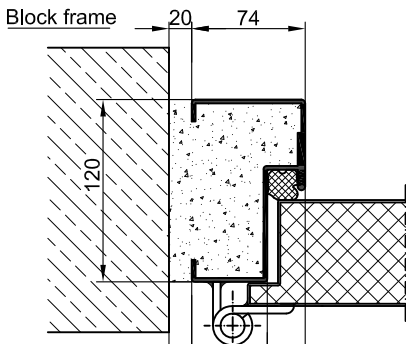
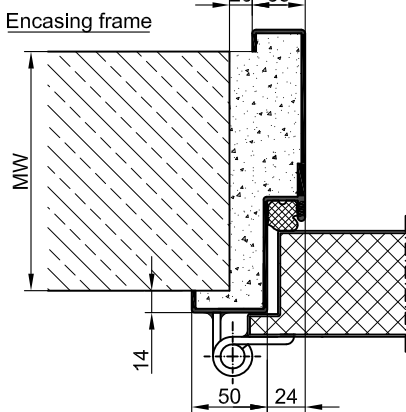
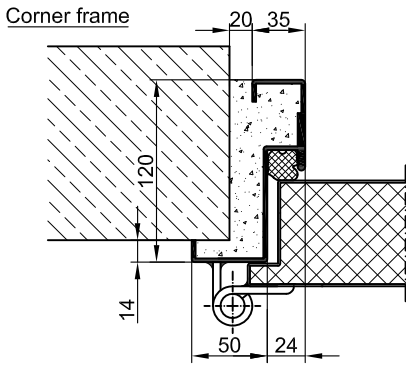


Separation rail

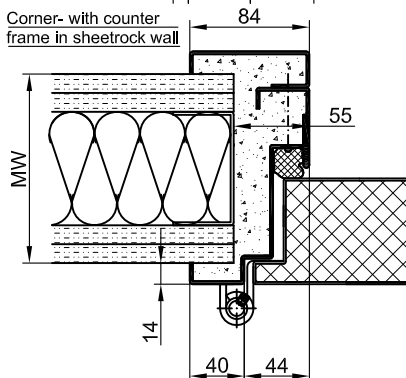
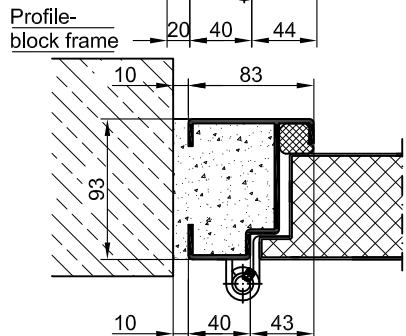
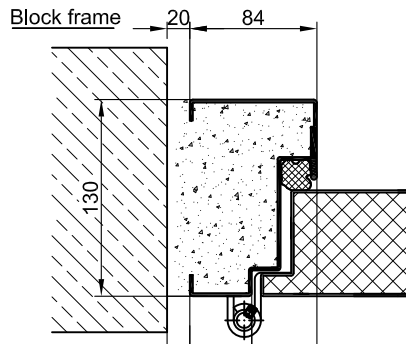
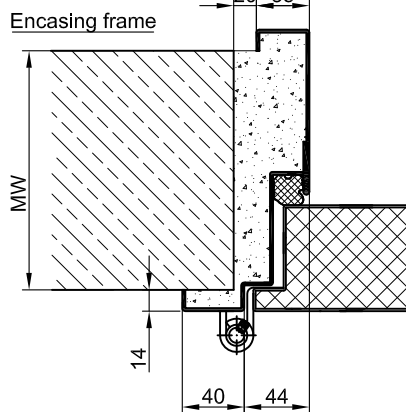
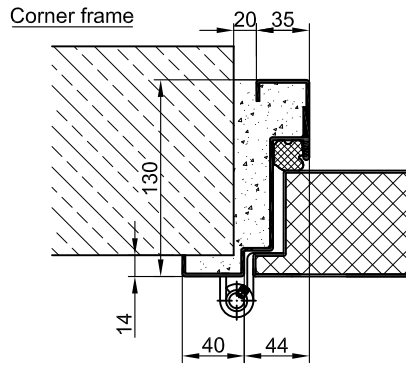
Countersunk floor seal

Stop sill

BASIC



PREMIUM



SUPERIOR

