

**Single Wing Transformer Station Door in accord. with DIN EN 62271-202  
(VDE 0671-202)**

* Plane Optic		
* Burglar Proof	RC2/RC3/RC4/RC5	in accordance with DIN EN 1627
* Rain and Fire Water Tight	Classification 6A	in accordance with DIN EN 1027
* Pressure Resistant	up to 18 kPa	
* Explosion Protection	up to zone 1/21	in acc. with DIN EN 1127-1 or ATEX 94/9/EG
* Glazing		
* Top Panel / Top Light		
* Stainless Steel		

Range of Dimensions:                    Width from 500 mm to 2500 mm  
   Height from 500 mm to 5000 mm

\* (special options see back of this page)

**Technical specification and text for invitation to tender**

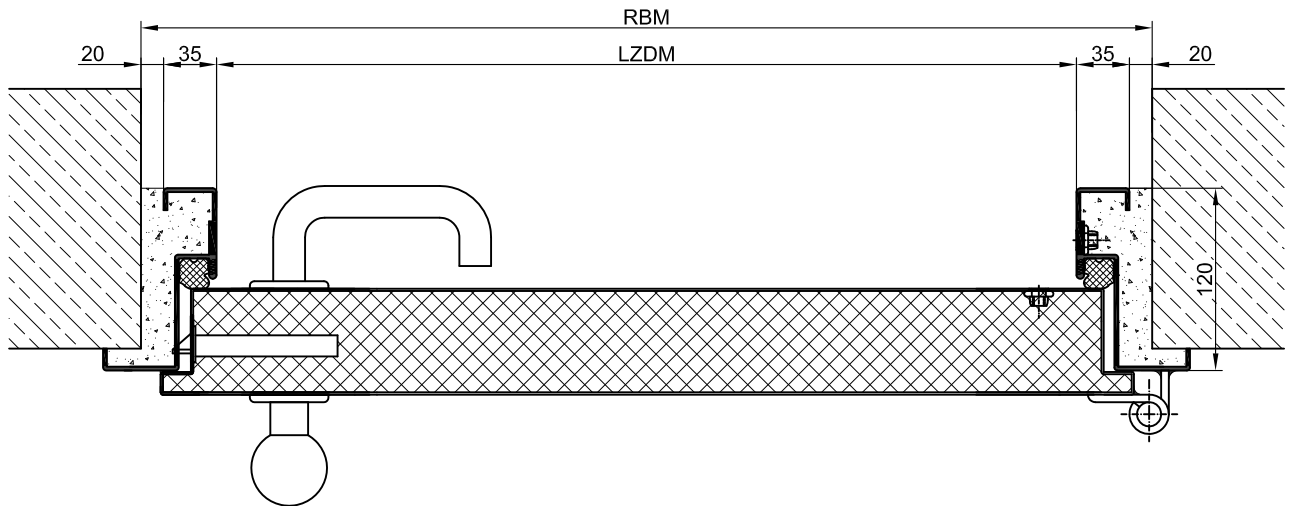
<b>Product:</b>	PL 1 single wing transformer station door in accordance to DIN EN 62271-202 (VDE 0671-202) brand Buchele
<b>Door Type:</b>	PLANE Line PL 1 Trafo BASIC
<b>Dimension::</b>	.... x .... mm
<b>Door Leaf:</b>	Double walled, level 70 mm thick steel door leaf without hinge embossing, three sides folded with thick rebate without bottom stop. Special insulating inserts completely laid in and glued.
<b>Ventilation Grille:</b>	poke protected slanted double segments in profile frame with full-size bird protection grid 10 x 10 mm
<b>Grounding:</b>	Grounding connector between door leaf and frame
<b>Sill:</b>	Floor bracket as separation bar. Surface galvanized and welded to the frame.
<b>Frame:</b>	3-sided circumferential folded corner frame with high-quality multi- chamber sealing profile adjustable fixed in the three sided groove.
<b>Hinges:</b>	Threepart height-adjustable construction hinges with hinge pin retention and ball-bearing spacer ring for smooth door movement.
<b>Fitting:</b>	Panic lock with latch lever function in accordance with DIN EN 12209 (prepared for installation of a profile cylinder lock provided by customer). Door handle set in accordance with DIN EN 1906 firmly installed turnable synthetic material black in U-shape with rounded short-plate.
	<b><u>Type PLANE Line PL 1 PREMIUM</u></b>
<b>Frame:</b>	Three sided circumferential folded PLANE Line special corner frame for flush mounted optics on hinge side. With visible black coated intumescent material in fold. High-quality multi-chamber sealing profile adjustable fixed in the three sided groove.
<b>Hinges:</b>	Object hinges type VB-3D 160 adjustable in three dimentions. Reception element with internal positioned slide bearings for smooth door movement.

**Type PLANE Line PL 1 SUPERIOR**

<b>Frame:</b>	Three sided circumferential folded PLANE Line special corner frame for flush mounted optics on hinge side. With visible black coated intumescent material in fold. High-quality multi-chamber sealing profile adjustable fixed in the three sided groove.
<b>Hinges:</b>	Concealed hinge system adjustable in three dimensions.
<b>Surface:</b>	Door leaf and frame galvanized and primed with one component primer similar RAL 7001.
<b>Mounting:</b>	Delivery and professional assembly including filling of the cavities in the frame with mortar of group III.

**Special Models**

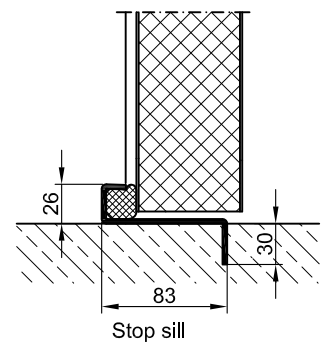
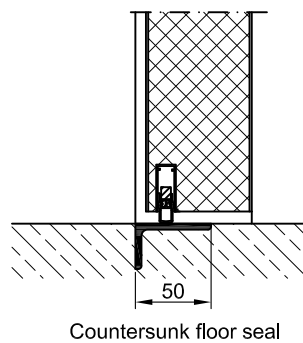
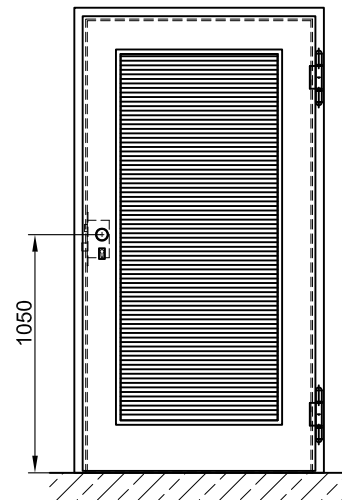
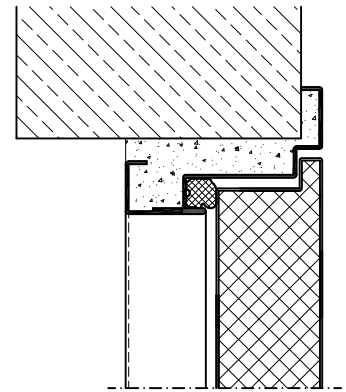
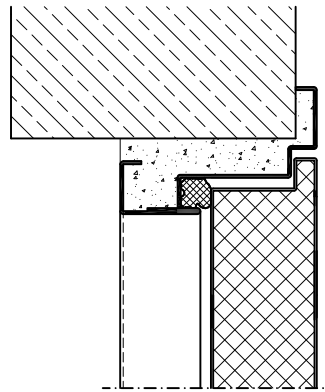
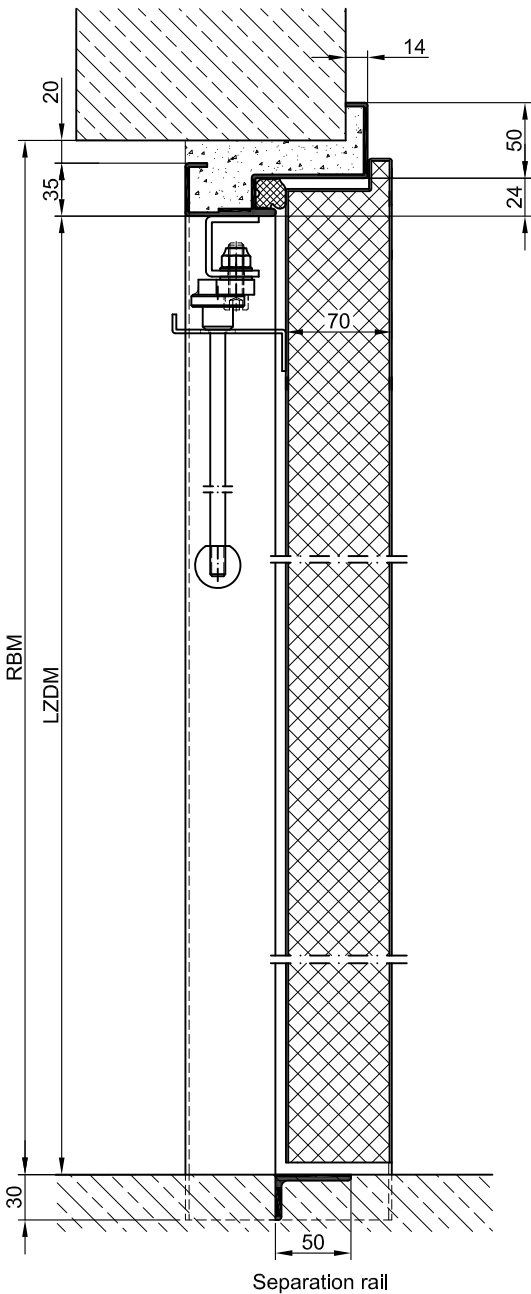
<b>Door Holder:</b>	Buchele door holder mounted on lintel opposite of hinge side. When door opens 90 ° it automatically locks. Locking can be released by push rod.
<b>Panic Lock:</b>	Switch function B, forced locking function C, passing function D
<b>Burglary Protection:</b>	RC 2, RC 3, RC 4 or RC 5 safety package with safety fitting.
<b>Driving Rain Water tight:</b>	High-quality multi-chamber sealing profile adjustable fixed in the three sided groove of the frame in connection with a drop seal or a stop seal.
<b>Top Panel / Top Light:</b>	Top panel built like door leaf Top light with solid glazing (glazing type optional)
<b>Stainless Steel:</b>	Material 1.4301 (V2A) or. 1.4571 (V4A), Surface bright mill, brushed or mattet



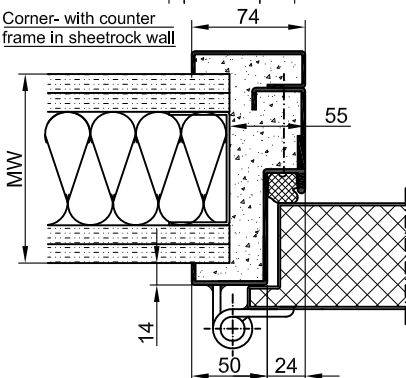
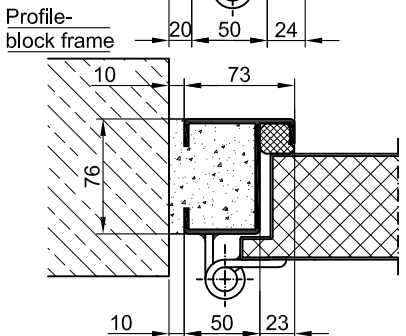
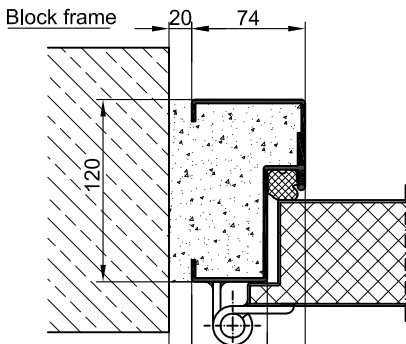
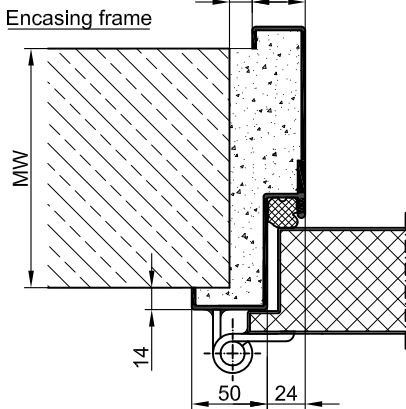
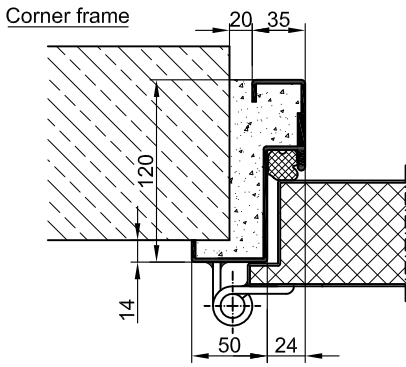
BASIC

PREMIUM

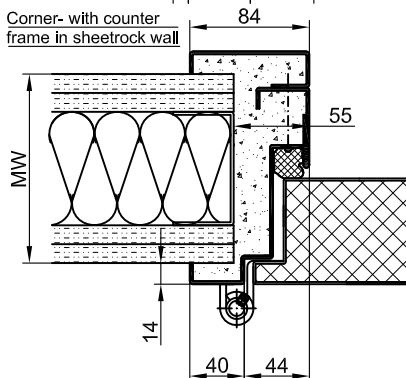
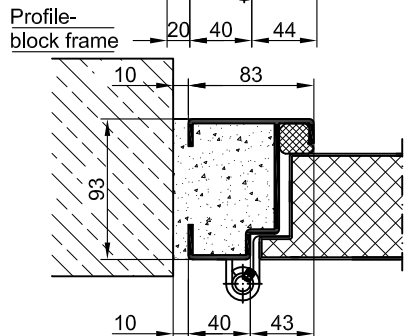
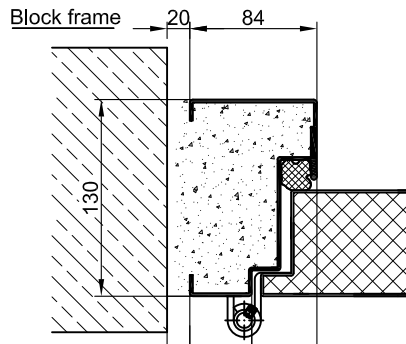
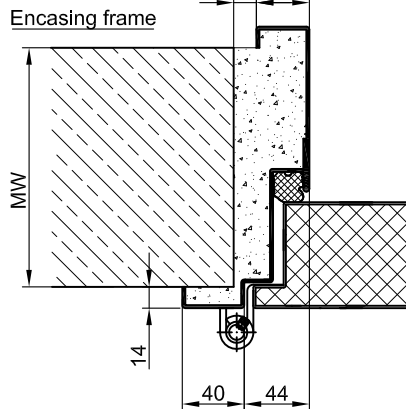
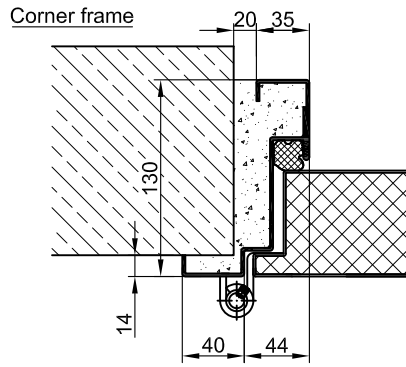
SUPERIOR



**BASIC**



**PREMIUM**



**SUPERIOR**

