

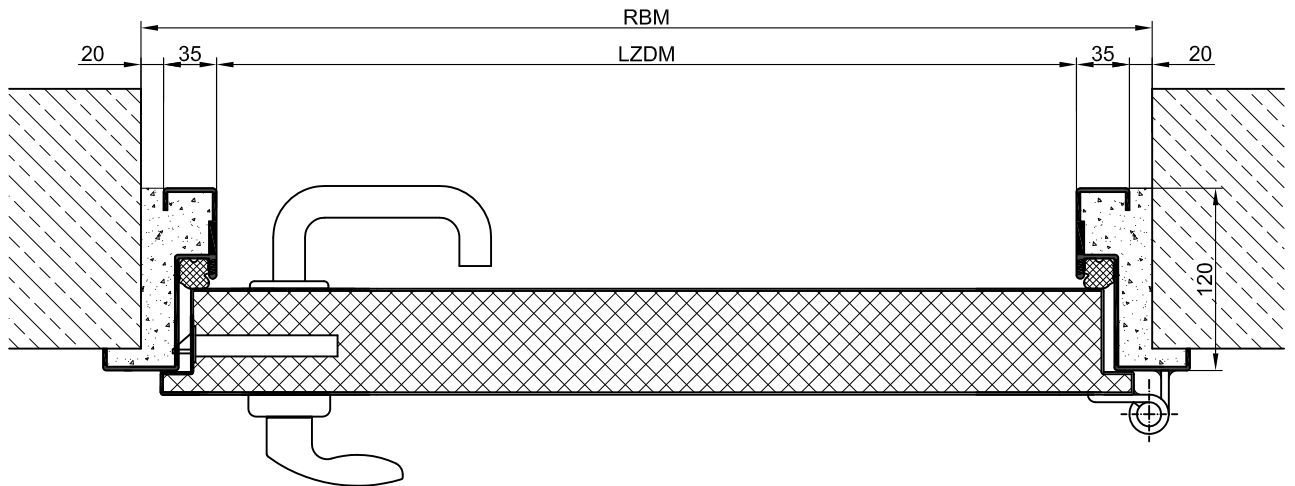
element with internal positioned slide bearings for smooth door movement.

Type PLANE Line PL 1 SUPERIOR

Frame:	Three sided circumferential folded PLANE Line special corner frame for flush mounted optics on hinge side. High-quality multi-chamber sealing profile adjustable fixed in the three sided groove.
Hinges:	Concealed hinge system adjustable in three dimensions.
Door Closer:	Invisible cam-action door closer system in accordance with DIN EN 1154 integrated in frame and door leaf.
Surface:	Door leaf and frame galvanized and primed with one component primer similar RAL 7001.
Mounting:	Delivery and professional assembly including filling of the cavities in the frame with mortar of group III.

Special Models

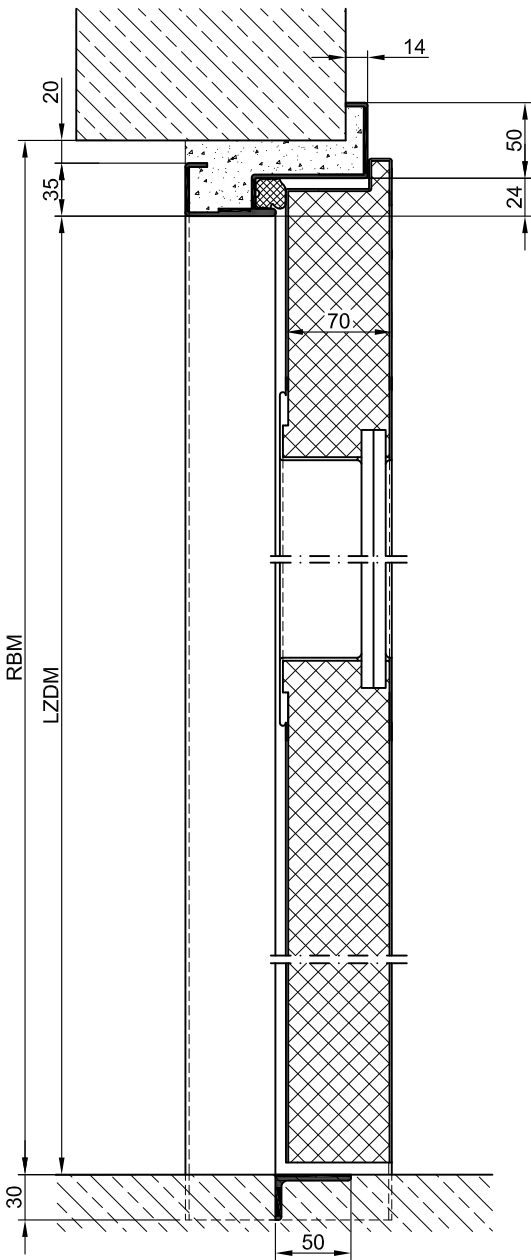
Flush Glazing:	PLANE Line triple special glazing P4A safety glazing flush with outer edge door leaf on hinge side and opposite of hinge side border and elastic joint glazing seal black RAL 9004. Minimum frieze width 125 mm on side and top, base 300 mm
Standard Glazing:	Regular glazing – or insulated glazing P4A held by steel glass bars. Minimum frieze width 125 mm on side and top, base 300 mm
Emergency Door:	With panic fitting in accordance with DIN EN 179 and 1125
Ventilation Grille:	Burglar proof poke protected ventilation grille inside with galvanized bird screen 10 x 10 mm
Top Panel or Top Light:	Top panel built as tested door leaf top light with burglar proof fixed glazing
Sound Insulation:	Up to $R_{w,p}$ 54.
Bullet Proof:	FB 4-NS or FB 6-NS special inlay in door leaf and frame.
Airtight:	High-quality multi-chamber sealing profile adjustable fixed in the three sided groove of the frame in connection with a drop seal or a stop seal.
Driving Rain Water tight:	High-quality multi-chamber sealing profile adjustable fixed in the three sided groove of the frame in connection with a drop seal or a stop seal.
Windproof	High-quality multi-chamber sealing profile adjustable fixed in the three sided groove of the frame in connection with a drop seal or a stop seal
Stainless Steel:	Material 1.4301 (V2A) or 1.4571 (V4A), Surface bright mill, brushed or mattet.



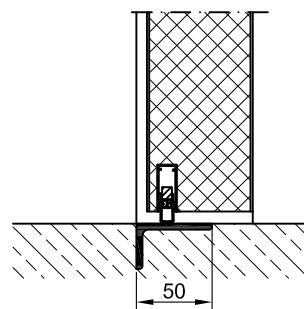
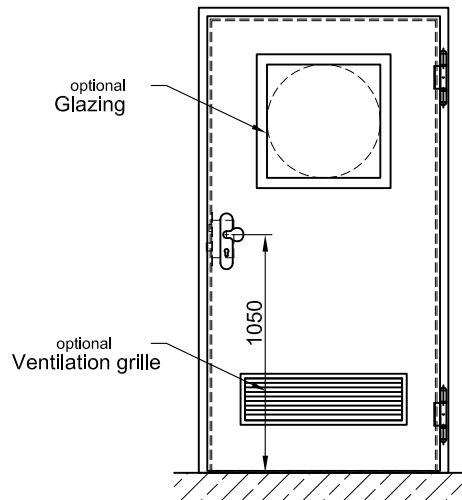
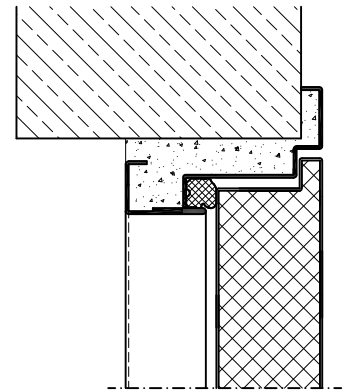
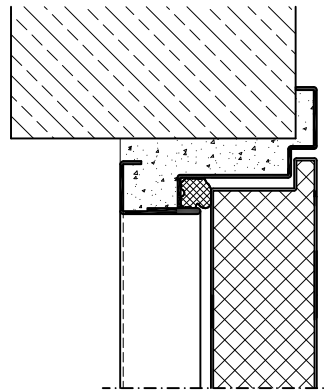
BASIC

PREMIUM

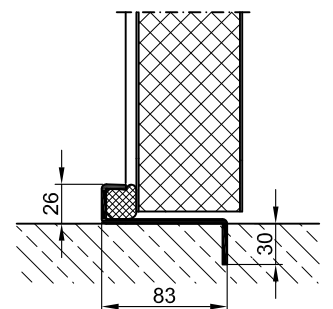
SUPERIOR



Separation rail

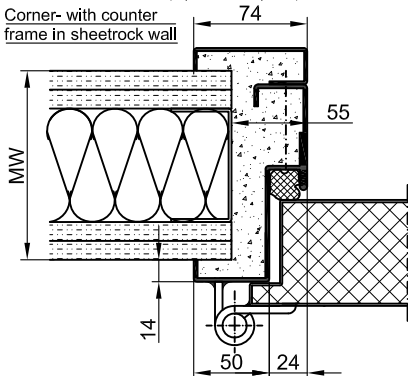
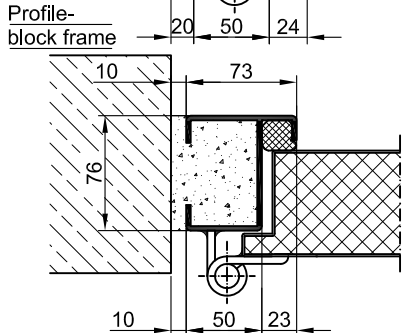
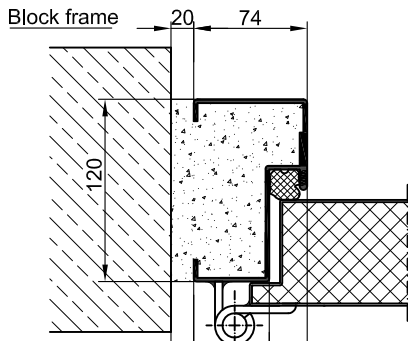
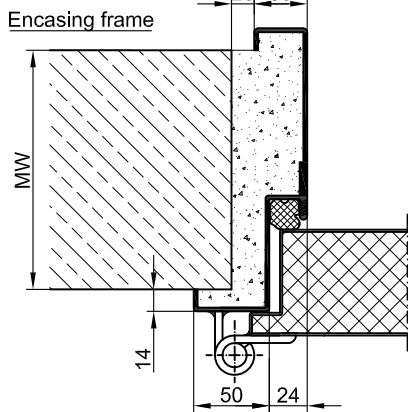
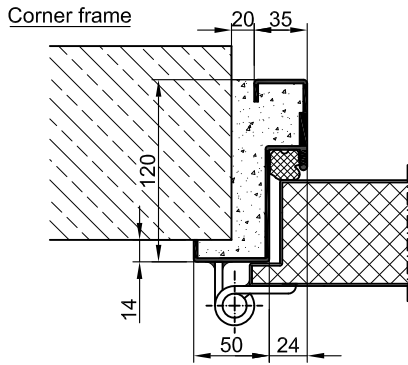


Countersunk floor seal

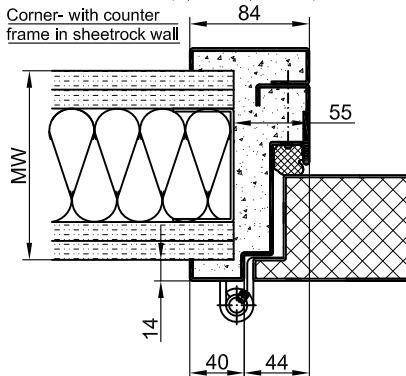
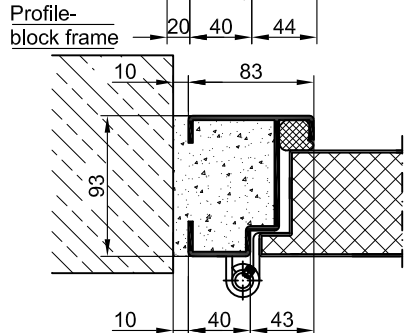
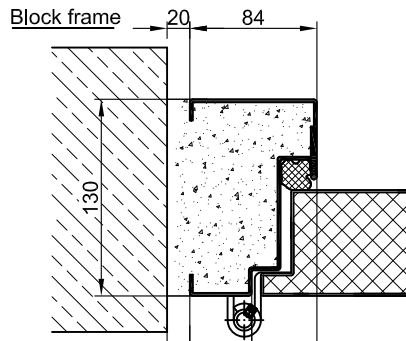
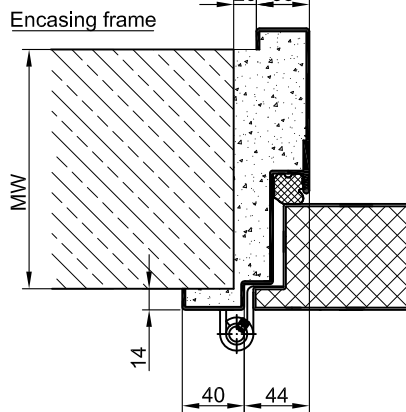
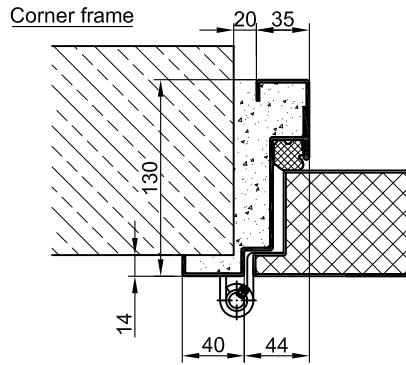


Stop sill

BASIC



PREMIUM



SUPERIOR

