

Double wing PLANE Line explosion protection door

Plane Optic Blast Resistance	up to 5 kPa	according to DIN EN 13124-1 heightened impulse up to 40 bar·ms
and/or		
Explosion Protection	up to zone 1/21	acc. to DIN EN 1127-1 / ATEX 94/9/EG

* Noise Control	up to R _w 54dB	in accordance with DIN EN ISO 10140-2
* Burglar Proof	RC2/RC3/RC4/RC5	in accordance with DIN EN 1627
* Shot Proof	FB4	in accordance with DIN EN 1522
* Air Tight	up to classification 4	in accordance with DIN EN 12207
* Rain and Fire Water Tight	Classification 6A	in accordance with DIN EN 1027
* Wind Tight	Classification C5	in accordance with DIN EN 12211
* Stainless Steel		

Range of Dimensions: **Width from 1375 mm to 3000 mm**
Height from 1750 mm to 3000 mm

* (special options see back of this page)

Technical specification and text for invitation to tender

Product:	PL 2 double wing explosion protection door brand Buchele
Door Type:	PLANE Line PL 2 EX
Explosion Pressure: kPa
Explosionsschutz:	Zone 1 (IIA, IIB) / Zone 2 (IIA, IIB) / Zone 21 / Zone 22 in accordance with DIN EN 1127-1 or ATEX 94/9/EG
Dimensions: x mm
Door Leaf:	Double walled, level 70 mm thick steel door leaf without hinge embossing, three sides folded with thick without bottom. Special insulating inserts completely laid in and glued. Safety bolt screwed in door leaf fold.
Sill:	Floor bracket as separation bar. Surface galvanized and welded to the frame.
Frame:	3-sided circumferential folded corner frame. High-quality multi-chamber sealing profile adjustable fixed in the three sided groove.
Hinges:	Threepart height-adjustable construction hinges with hinge pin retention and ball-bearing spacer ring for smooth door movement.
Fitting:	Active door leaf with mortice lock with latch lever function in accordance with DIN EN 12209 (prepared for installation of a profile cylinder lock provided by customer). Door handle set in accordance with DIN EN 1906 firmly installed turnable synthetic material black in U-shape with rounded short-plate. Inactive door leaf with espagnolette bolt lock in the central rebate profile.

Type PLANE Line PL 2 PREMIUM

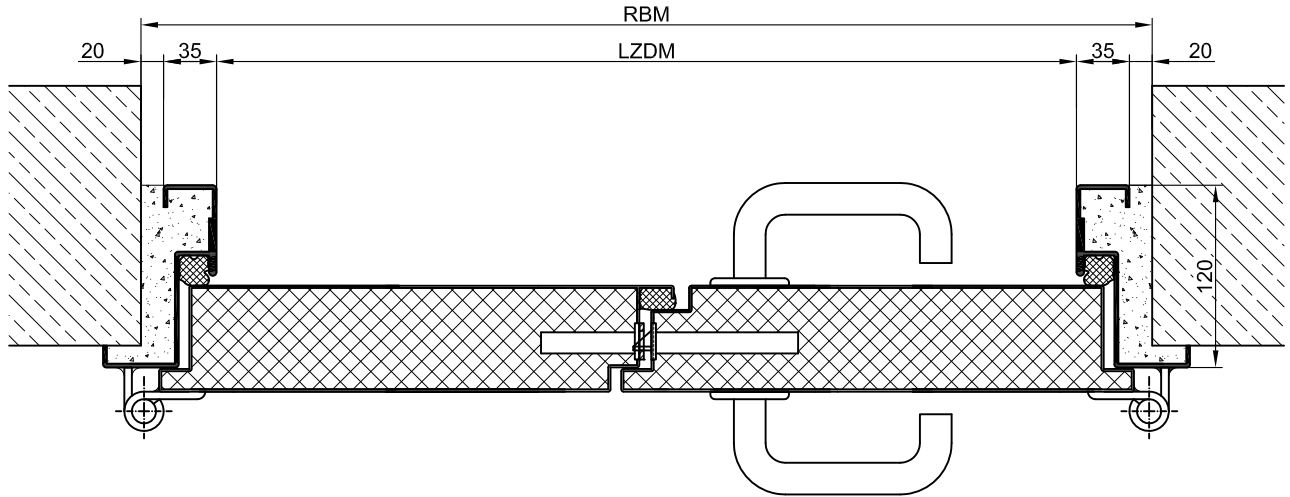
- Frame:** Three sided circumferential folded PLANE Line special corner frame for flush mounted optics on hinge side. High-quality multi-chamber sealing profile adjustable fixed in the three sided groove.
- Hinges:** Object hinges type VB-3D 160 adjustable in three dimensions. Reception element with internal positioned slide bearings for smooth door movement.

Type PLANE Line PL 2 SUPERIOR

- Frame:** Three sided circumferential folded PLANE Line special corner frame for flush mounted optics on hinge side. High-quality multi-chamber sealing profile adjustable fixed in the three sided groove.
- Hinges:** Concealed hinge system adjustable in three dimensions.
- Surface:** Door leaf and frame galvanized and primed with one component primer similar RAL 7001.
- Mounting:** Delivery and professional assembly including filling of the cavities in the frame with mortar of group III.

Special Models

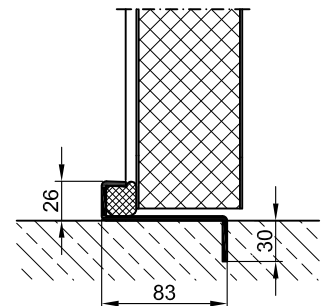
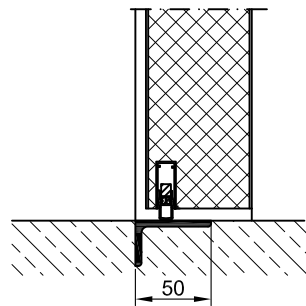
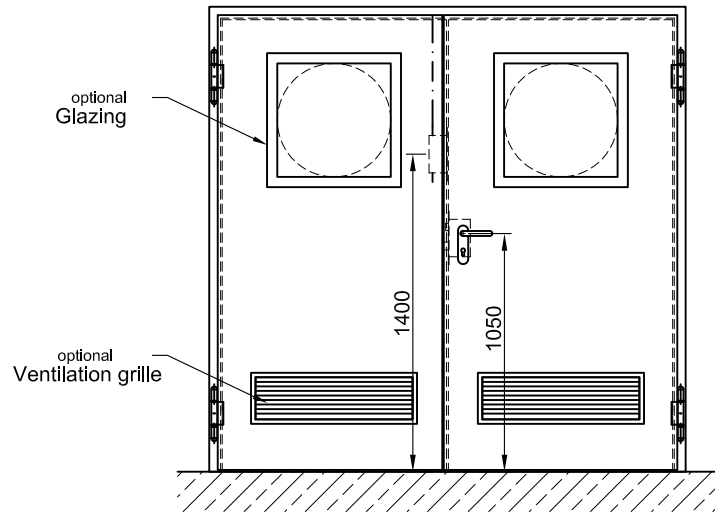
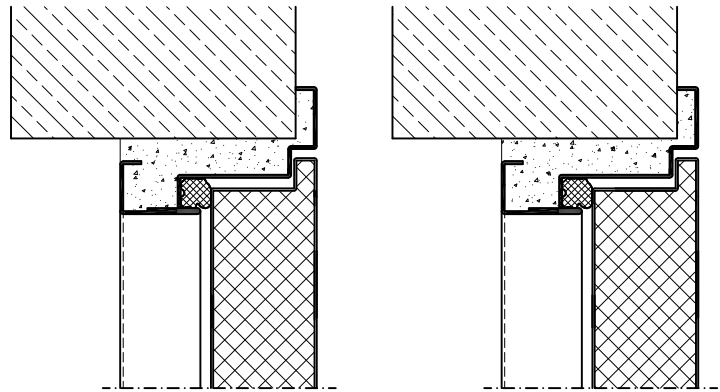
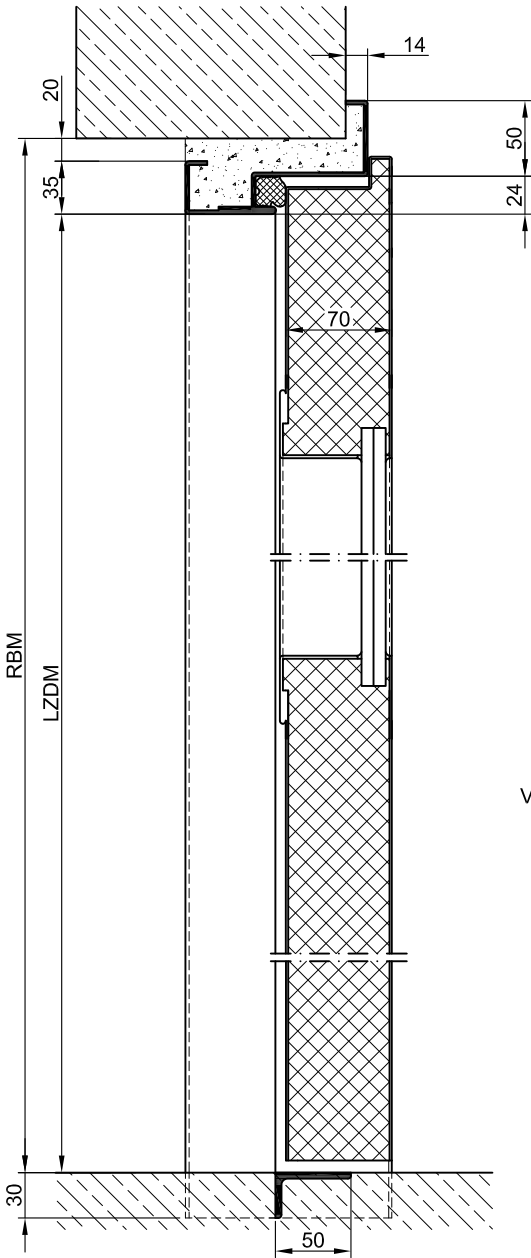
- Standard Glazing:** Splinter proof glazing held by profiled and visibly screwed steel glazing bars.
Minimum frieze width 125 mm side and top, base 300 mm.
- Burglary Protection:** RC 2, RC 3, RC 4 or RC 5 safety package with safety fitting.
- Emergency Door:** With panic fitting in accordance with DIN EN 179 and 1125
- Pressure Release flap:** Self-closing flap for pressure release in the door leaf.
On the internal side optional secured by a grille.
- Ventilation Grille:** Ventilation grille, optional sight and poke protected inside with galvanized bird screen 10 x 10 mm
- Sound Insulation:** Up to $R_{w,p}$ 54 dB
- Bullet Proof:** FB 4 and FB 6 special inlay in door leaf and frame.
- Airtight:** High-quality multi-chamber sealing profile adjustable fixed in the three sided groove of the frame in connection with a drop seal or a stop seal.
- Driving Rain Water tight:** High-quality multi-chamber sealing profile adjustable fixed in the three sided groove of the frame in connection with a stop seal.
- Windproof** High-quality multi-chamber sealing profile adjustable fixed in the three sided groove of the frame in connection with a stop seal.
- Stainless Steel:** Material 1.4301 (V2A) or 1.4571 (V4A), Surface bright mill or brushed.



BASIC

PREMIUM

SUPERIOR

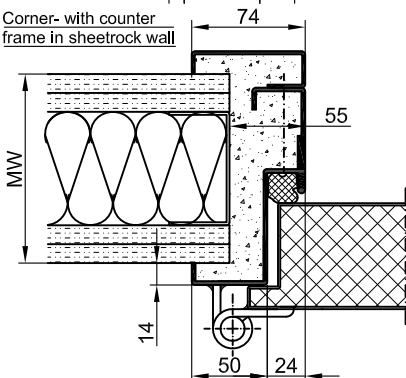
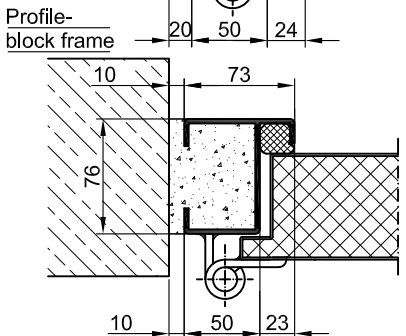
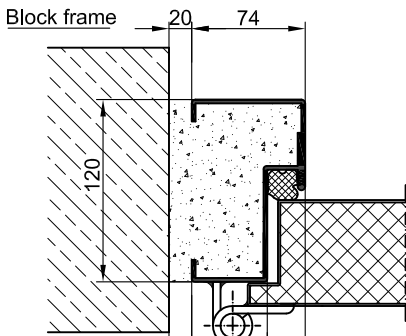
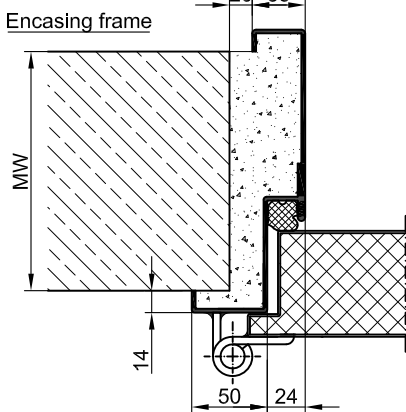
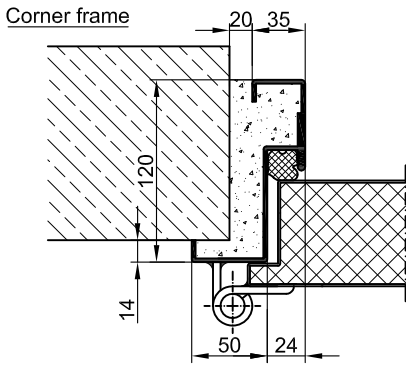


Separation rail

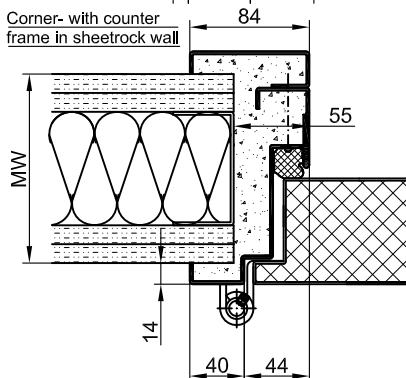
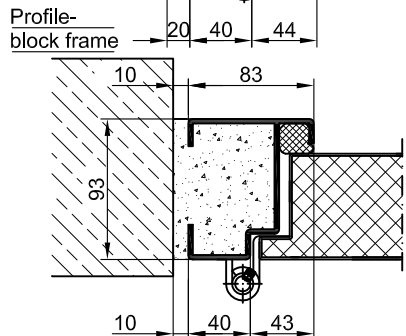
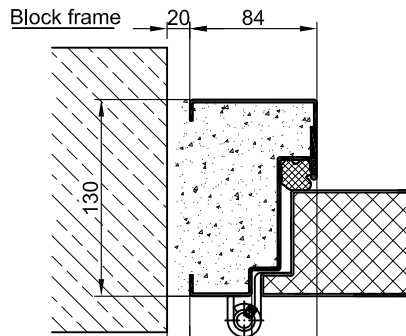
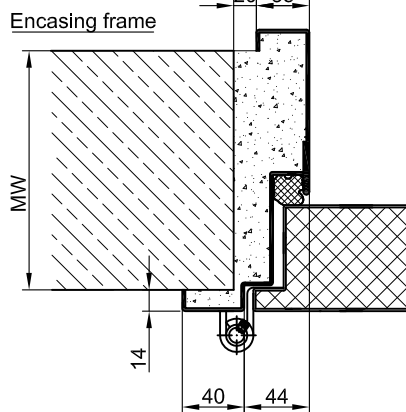
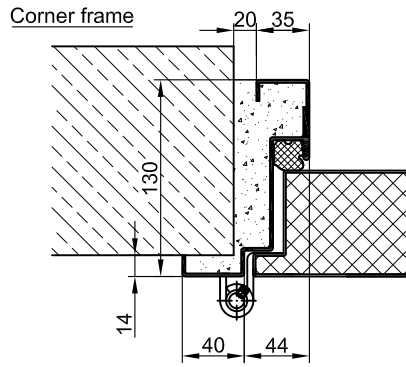
Countersunk floor seal

Stop sill

BASIC



PREMIUM



SUPERIOR

