

Double wing PLANE Line radiation protection door

Plane Optic

Lead Euvivalent

up to 4 mm

in accordance with DIN 6834-1

* Noise Control	bis R_w 54dB	in accordance with DIN EN ISO 10140-2
* Burglar Proof	RC2/RC3/RC4/RC5	in accordance with DIN V ENV 1627
* Shot Proof	FB4	in accordance with DIN EN 1522
* Air Tight	up to classification 4	in accordance with DIN EN 12207
* Rain and Fire Water Tight	Classification 6A	in accordance with DIN EN 1027
* Wind Tight	Classification C5	in accordance with DIN EN 12211
* Pressure Resistant	up to 18 kPa	
* Explosion Protection	up to zone 1/21	in acc. with DIN EN 1127-1 or ATEX 94/9/EG
* Stainless Steel		

Range of Dimensions:

**Width from 1375 mm to 3000 mm
Height from 1750 mm to 3000 mm**

* (special options see back of this page)

Technical specification and text for invitation to tender

Product::	PL 2 double wing radiation protection door brand Buchele
Door Type:	PLANE Line PL 1 RAD
Lead Euivalent: mm
Dimensions: x mm
Door Leaf:	Double walled, level 70 mm thick steel door leaf without hinge embossing, three sides folded with thick rebate without bottom stop. Special insulating inserts completely laid in and glued. Safety bolt screwed in door leaf fold.
Sill:	Floor bracket as separation bar. Surface galvanized and welded to the frame.
Frame:	3-sided circumferential folded corner frame with visible black coated intumescent material in fold. High-quality multi-chamber sealing profile adjustable fixed in the three sided groove.
Hinges:	Threepart height-adjustable construction hinges with hinge pin retention and ball-bearing spacer ring for smooth door movement.
Fitting:	Mortice lock with latch lever function in accordance with DIN EN 12209 (prepared for installation of a profile cylinder lock provided by customer). Door handle set in accordance with DIN EN 1906 firmly installed turnable synthetic material black in U-shape with rounded short-plate.

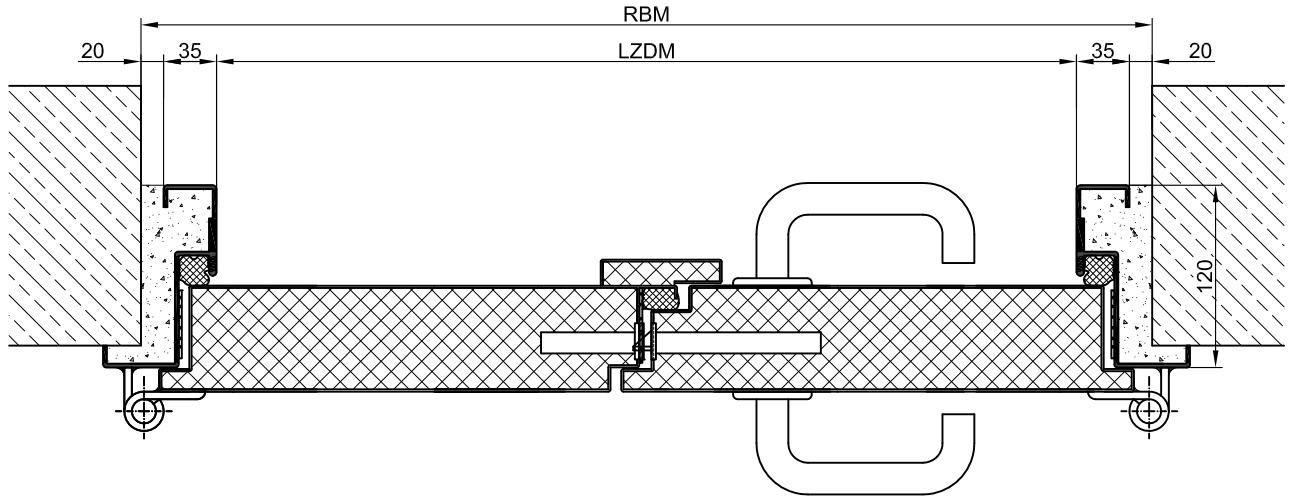
Type PLANE Line PL 2 PREMIUM

Frame:	Three sided circumferential folded PLANE Line special corner frame for flush mounted optics on hinge side. High-quality multi-chamber sealing profile adjustable fixed in the three sided groove.
---------------	---

Hinges:	Object hinges type VB-3D 160 adjustable in three dimensions. Reception element with internal positioned slide bearings for smooth door movement. <u>Type PLANE Line PL 2 SUPERIOR</u>
Frame:	Three sided circumferential folded PLANE Line special corner frame for flush mounted optics on hinge side. High-quality multi-chamber sealing profile adjustable fixed in the three sided groove.
Hinges:	Concealed hinge system adjustable in three dimensions.
Surface:	Door leaf and frame galvanized and primed with one component primer similar RAL 7001.
Mounting:	Delivery and professional assembly including filling of the cavities in the frame with mortar of group III.

Special Models

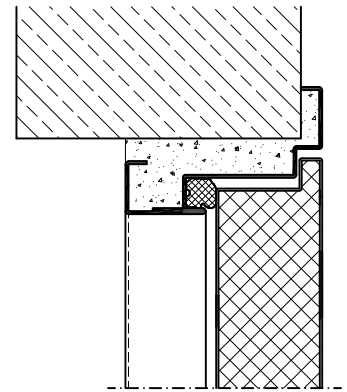
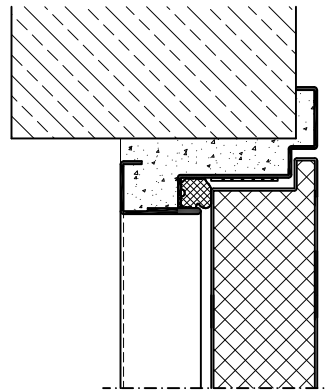
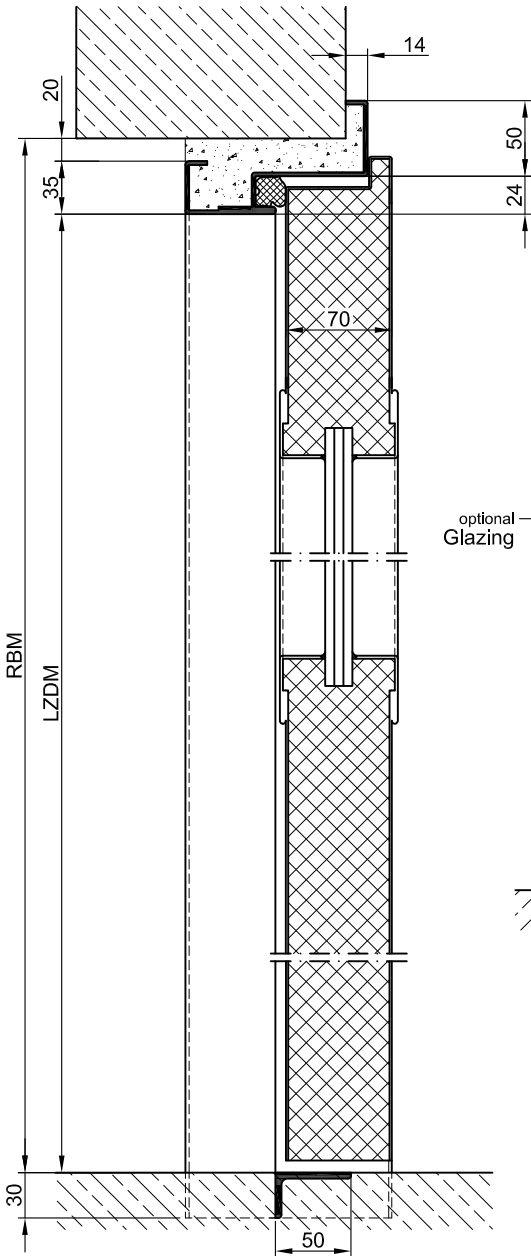
Standard Glazing:	Radiation protective glazing held by profiled and visibly screwed steel glazing bars. Minimum frieze width 125 mm side and top, base 300 mm.
Glazing with screen:	Radiation protective glazing with integrated, electric driven jalousie held by profiled and visibly screwed steel glazing bars. Minimum frieze width 125 mm side and top, base 300 mm.
Burglary Protection:	RC 2,RC 3,RC 4 or RC 5 safety package with safety fitting.
Emergency Door:	With panic fitting in accordance with DIN EN 179 and 1125
Sound Insulation:	Up to $R_{w,p}$ 54 dB
Bullet Proof:	FB 4 and FB 6 special inlay in door leaf and frame.
Airtight:	High-quality multi-chamber sealing profile adjustable fixed in the three sided groove of the frame in connection with a drop seal or a stop seal.
Driving Rain Water tight:	High-quality multi-chamber sealing profile adjustable fixed in the three sided groove of the frame in connection with a stop seal.
Windproof	High-quality multi-chamber sealing profile adjustable fixed in the three sided groove of the frame in connection with a stop seal.
Stainless Steel:	Material 1.4301 (V2A) or 1.4571 (V4A), Surface bright mill or brushed.



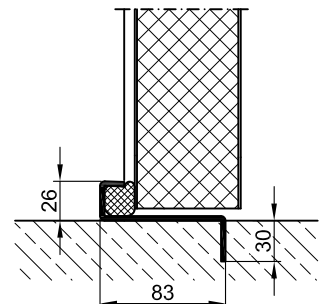
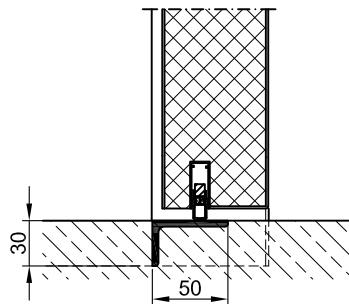
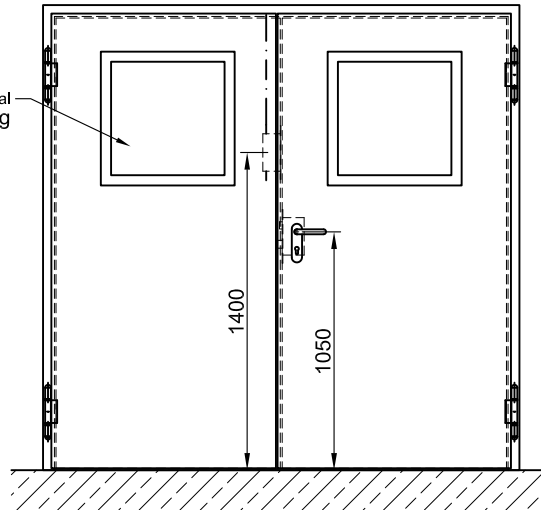
BASIC

PREMIUM

SUPERIOR



optional
Glazing

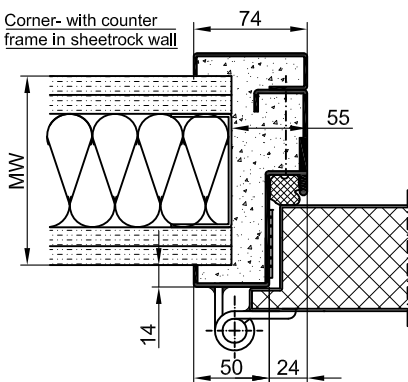
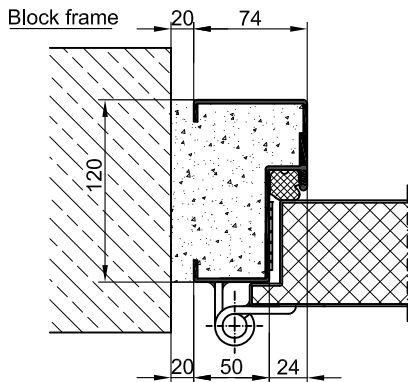
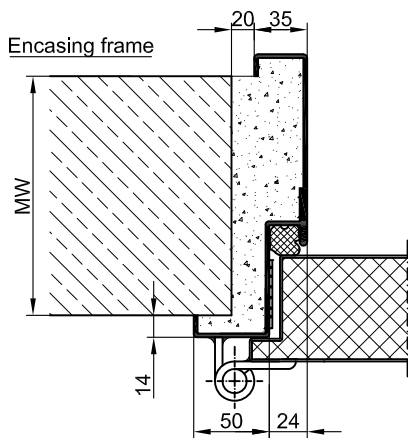
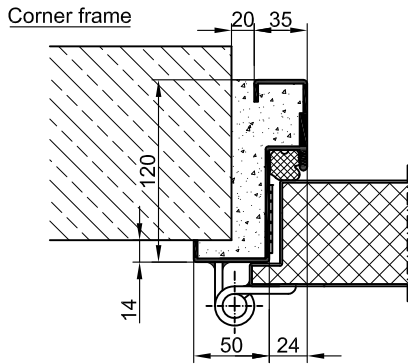


Separation rail

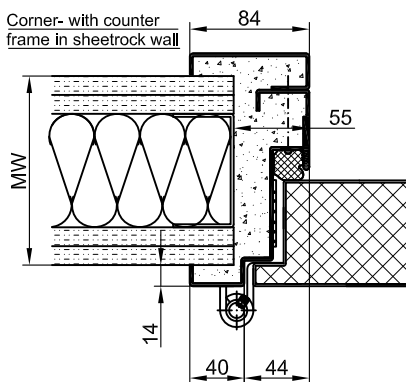
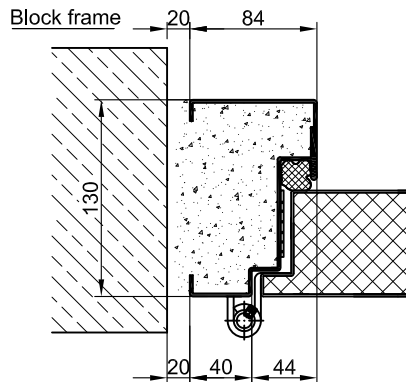
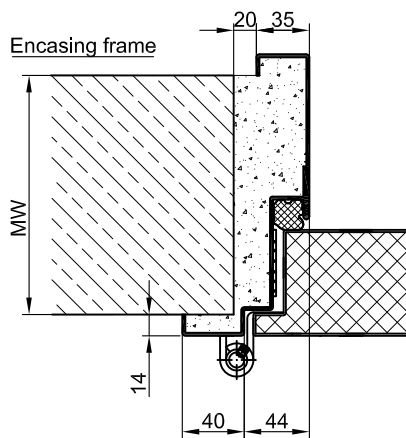
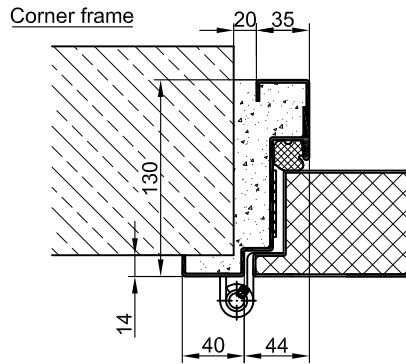
Countersunk floor seal

Stop sill

BASIC



PREMIUM



SUPERIOR

